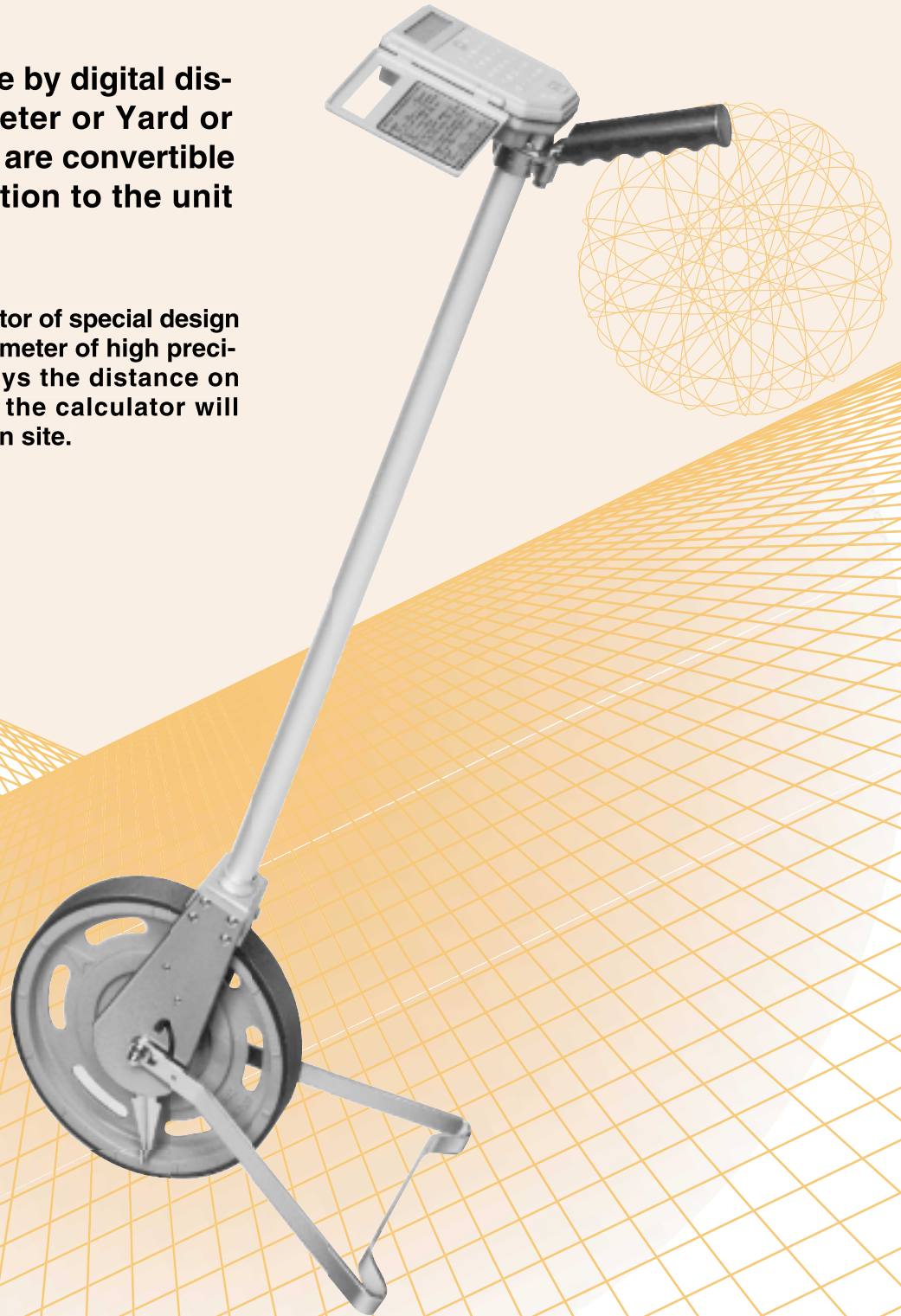


FUJI MEASURING WHEEL

F - 20

readouts the distance by digital display in the unit of Meter or Yard or Feet and those units are convertible by simple key operation to the unit appealing to you.

The mini-electronic calculator of special design is linked with the magnetometer of high precision and instantly displays the distance on screen. Simultaneously, the calculator will prove its useful function on site.



Instruments for the location of underground utilities and water leaks.

FUJI TECOM INC.

FUJI MEASURING WHEEL

F-20

Features

Quick to convert the distance in meter, yard and feet with only one key operation.

Suitable to measure the low speed in km/h.

Handy to carry from site to site.

Simple to operate the keys located at hand.

Easy to read the figures displayed on screen.

The value measured is convertible as it is into a calculation needed on site.

Lamp lights the screen at night.

The power switch is automatically turned off within 10 minutes after operation.

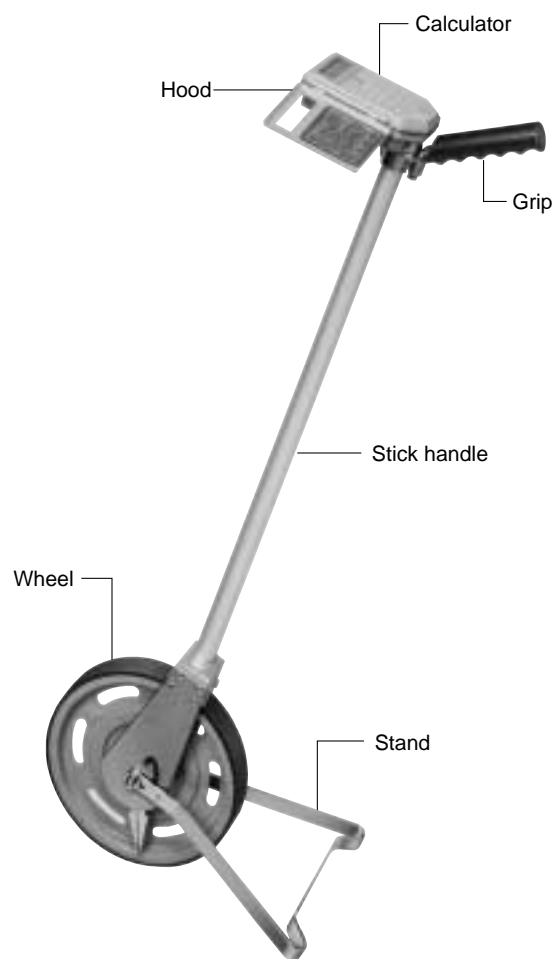
Specifications

Measurement	: Magnetometer
Measurement range	: 0.1m ~ 999.9m
Display	: Distance in meter, yard or feet Speed in 1 km/h to 50 km/h Calculation in 7 figures
Check point signal	: Buzzer at every distance being set up.
Accuracy	: $\pm 0.1\%$ in distance
Power supply	: 6V (1.5V \times 4)
Temperature	: 0 ~ 40
Auto power off	: 10 minutes
Size	: H908mm \times L210mm \times W140mm
Weight	: Approx. 1.3kg without carrying bag

Constructions

Removable mini-electronic calculator of 7 figures.

Measuring wheel of water-proof with stick handle of adjustable length.



We reserve the right to change specifications without prior notice.



Instruments for the location of underground utilities and water leaks.

FUJI TECOM INC.

Head office : 1-3-1, Kanda Izumi-cho, Chiyoda-ku, Tokyo 101-0024, Japan
TEL : +81-3-3862-3196 FAX : +81-3-3866-1979
Web Site : <http://www.fujitecom.co.jp/>
E-Mail : kaigai@fujitecom.co.jp

Branch office : Sapporo, Sendai, Tokyo, Shinetsu, Nagoya, Osaka
Hiroshima, Kyushu

Technical development & training center : Niiza

AGENT