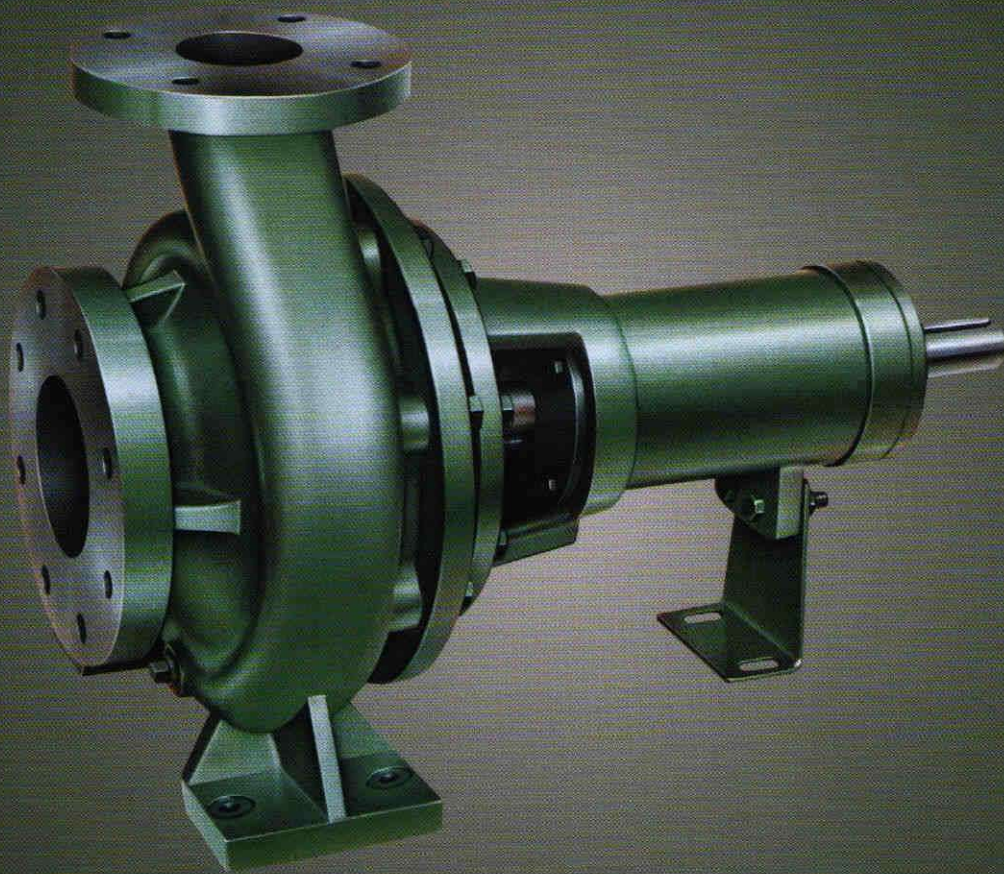


Acme Pumps

Type ES Single-Stage
End-Suction Centrifugal Pumps



ISO 2858 • 16 bars working pressure • Back-pull-out Construction • Heavy duty deep groove bearings

Description

Acme type ES centrifugal pumps are of single-stage end-suction design suitable for handling water, mild chemicals and other liquids with similar properties. They are widely used in building services, water supply and treatment, sprinkling and irrigation, drainage, liquid transfer and other general industrial applications.

Features

- **ISO 2858 standard** ensures dimensional interchangeability with other pumps designed to meet the same standard.
- **16 bars working pressure** as standard with optional casing working pressure of up to 20 bars requires robust and solid construction to provide long economic life even under high suction pressure condition.
- **Back-pull-out construction** allows rotating assembly to be withdrawn without disturbing the suction and delivery connections.
- **Double volute design** available for selected pumps. It eliminates radial load by balancing the hydraulic force of liquid within the pump casing, extends seal and bearing life and minimize vibration and noise.
- **DIN 2533 ND/16** suction and delivery flange connections to meet the design working pressure rating.
- **Flat face suction and delivery flanges** avoid breakage due to over tightening of flanges during installation.
- **Heavy duty, deep-groove bearings** with minimum 50,000 hours operating life under normal condition.
- **Grease lubricated** sealed-for-life bearings require no maintenance.
- **Excellent parts interchangeability** reduces inventory level for spare parts.

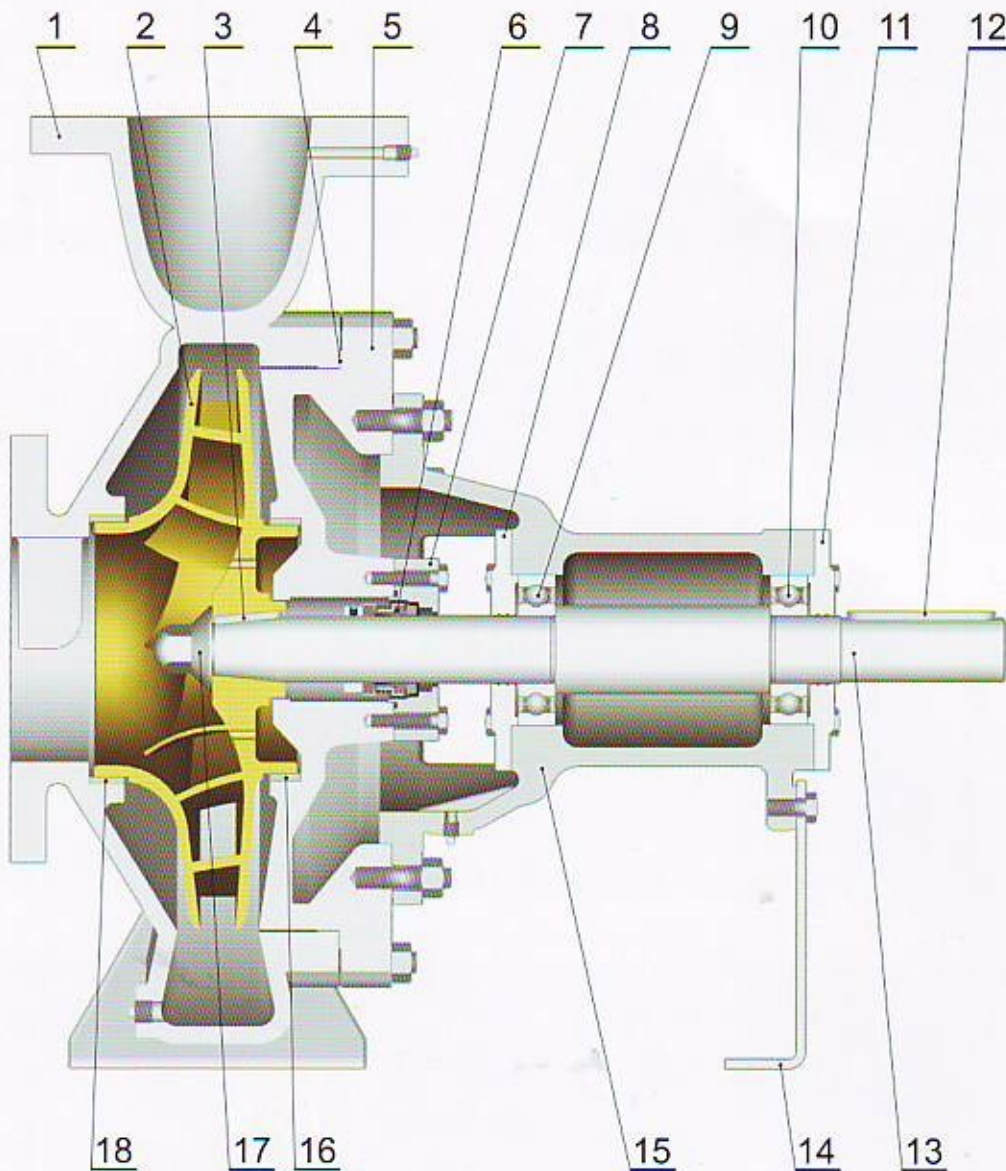
Material Specification

Part	Standard	Option
Casing	Cast Iron	Bronze
Impeller	Bronze	Cast Iron or Stainless Steel
Shaft	Stainless Steel	High Tensile Steel
Stuffing Box	Gland Packing	Mechanical Seal

Operating Limits

	Working Pressure	Test Pressure	Suction Pressure	Max. Liquid Temperature
Standard	16 bars	24 bars	Up to 16 bars	110°C
Option	20 bars	30 bars	Up to 16 bars	110°C

Construction

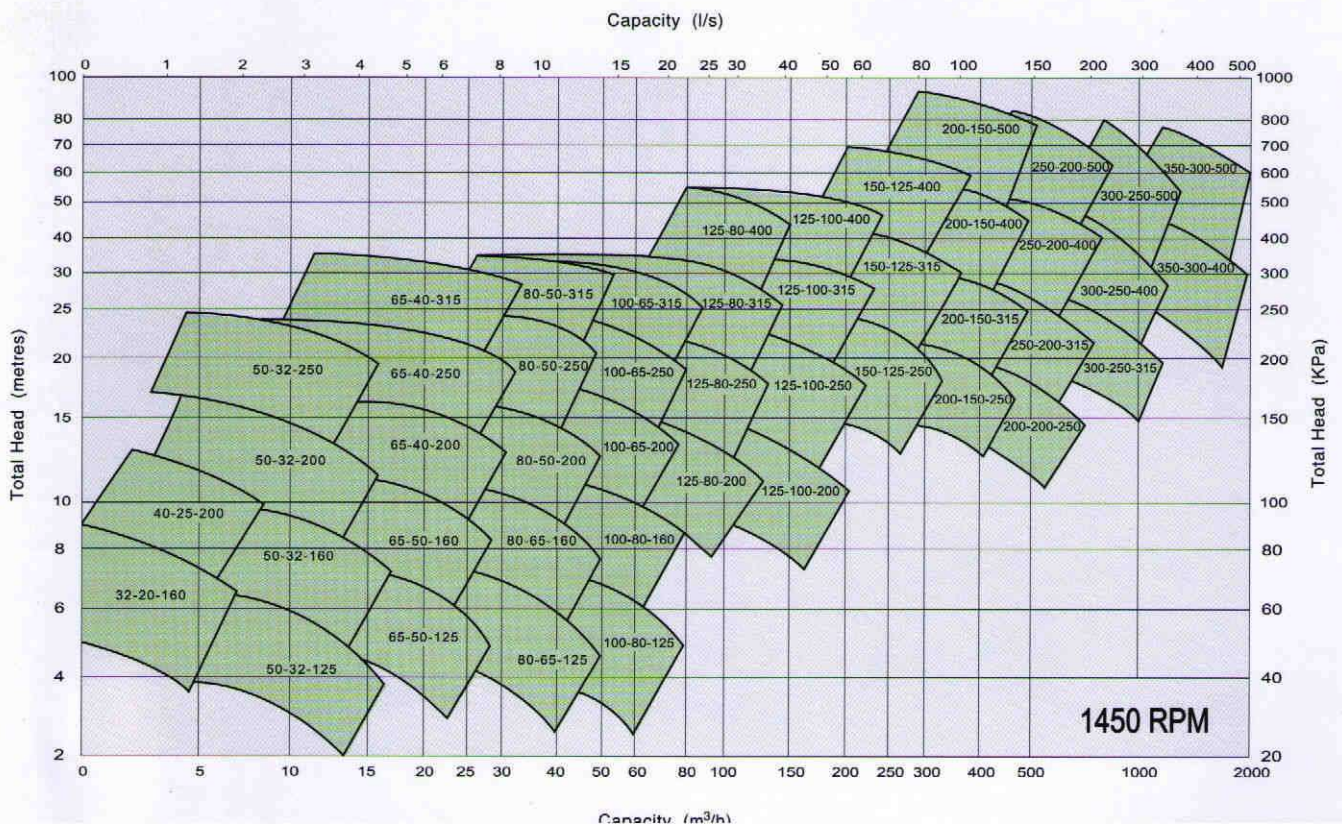
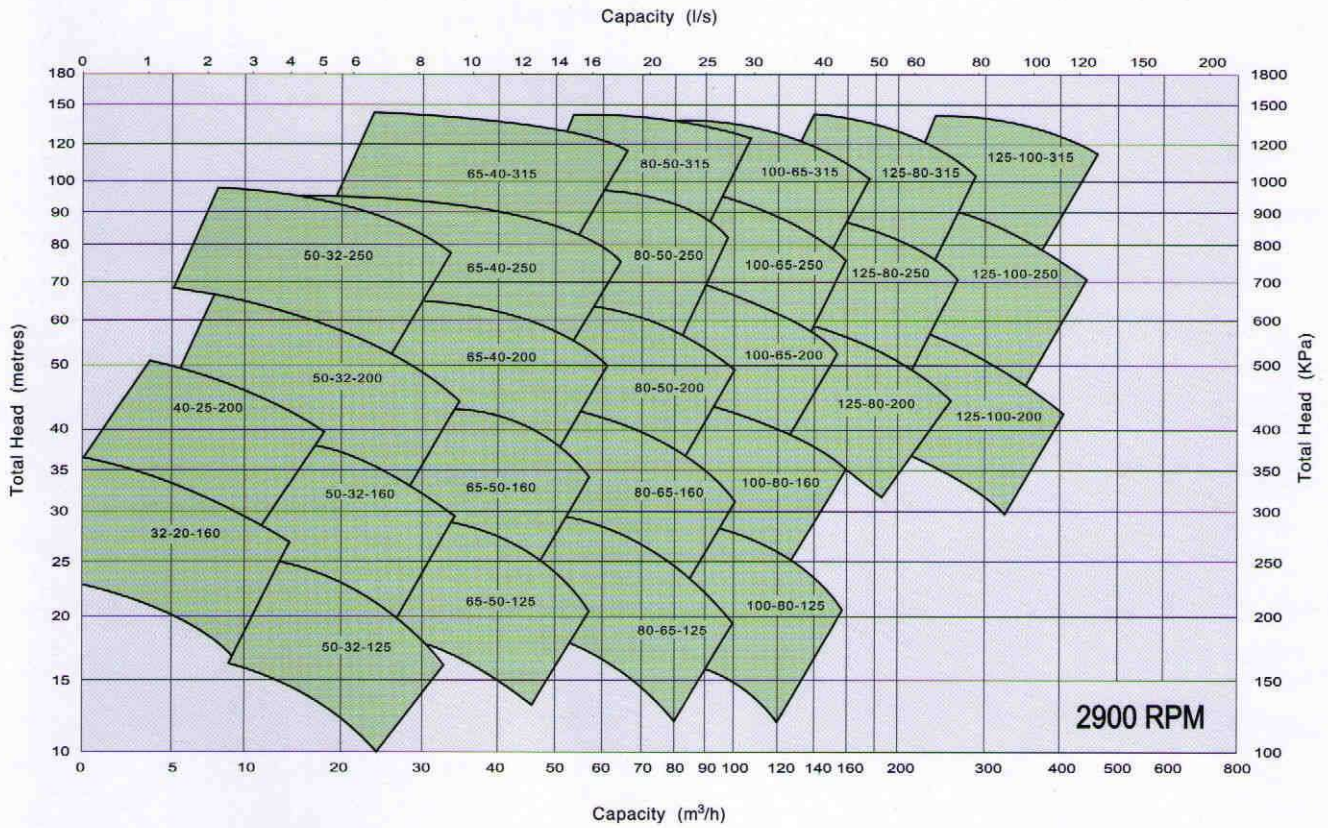


- | | | |
|-------------------|-------------------------|-------------------------------|
| 1 Pump Casing | 7 Seal Gland | 13 Shaft |
| 2 Impeller | 8 Line Bearing Cover | 14 Bearing Bracket Foot |
| 3 Impeller Key | 9 Line Bearing | 15 Bearing Bracket |
| 4 Casing Joint | 10 Thrust Bearing | 16 Back Wear Ring (optional) |
| 5 Stuffing Box | 11 Thrust Bearing Cover | 17 Impeller Nut |
| 6 Mechanical Seal | 12 Coupling Key | 18 Front Wear Ring (optional) |

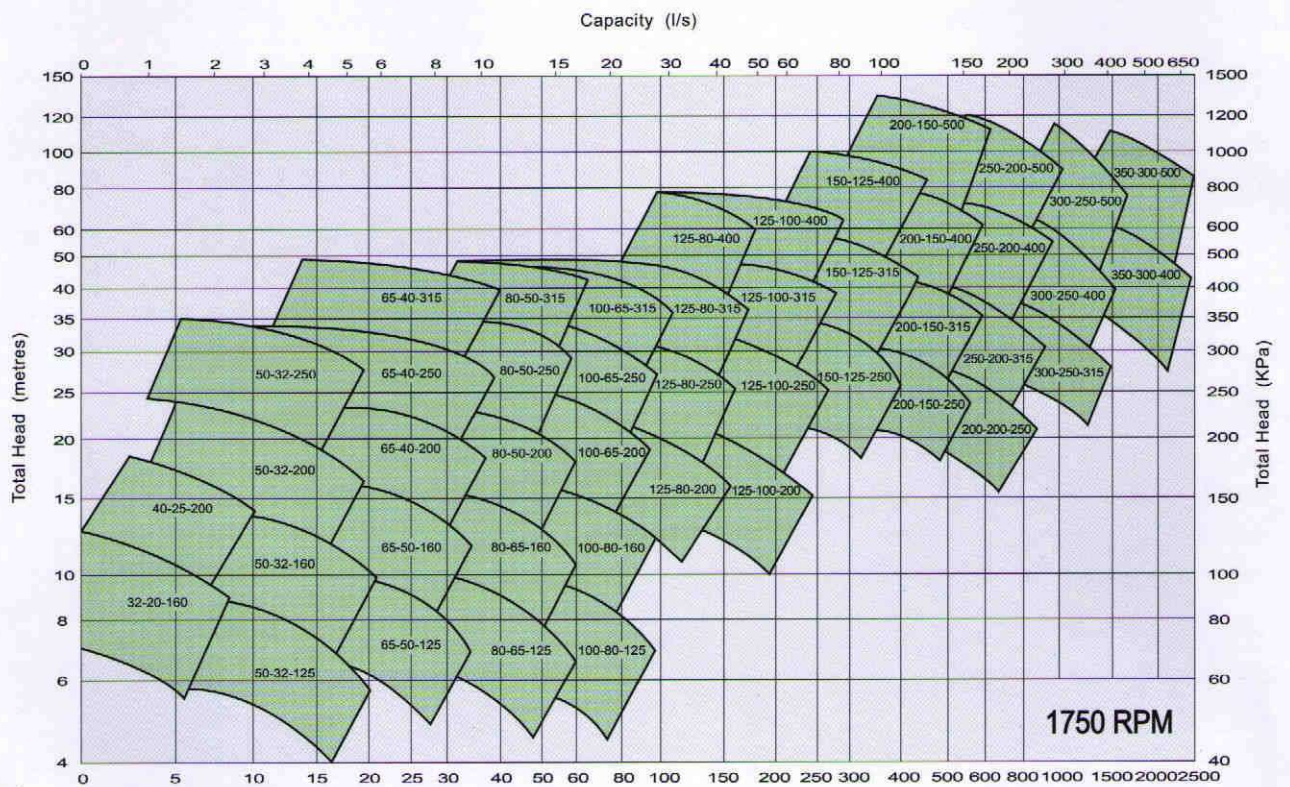
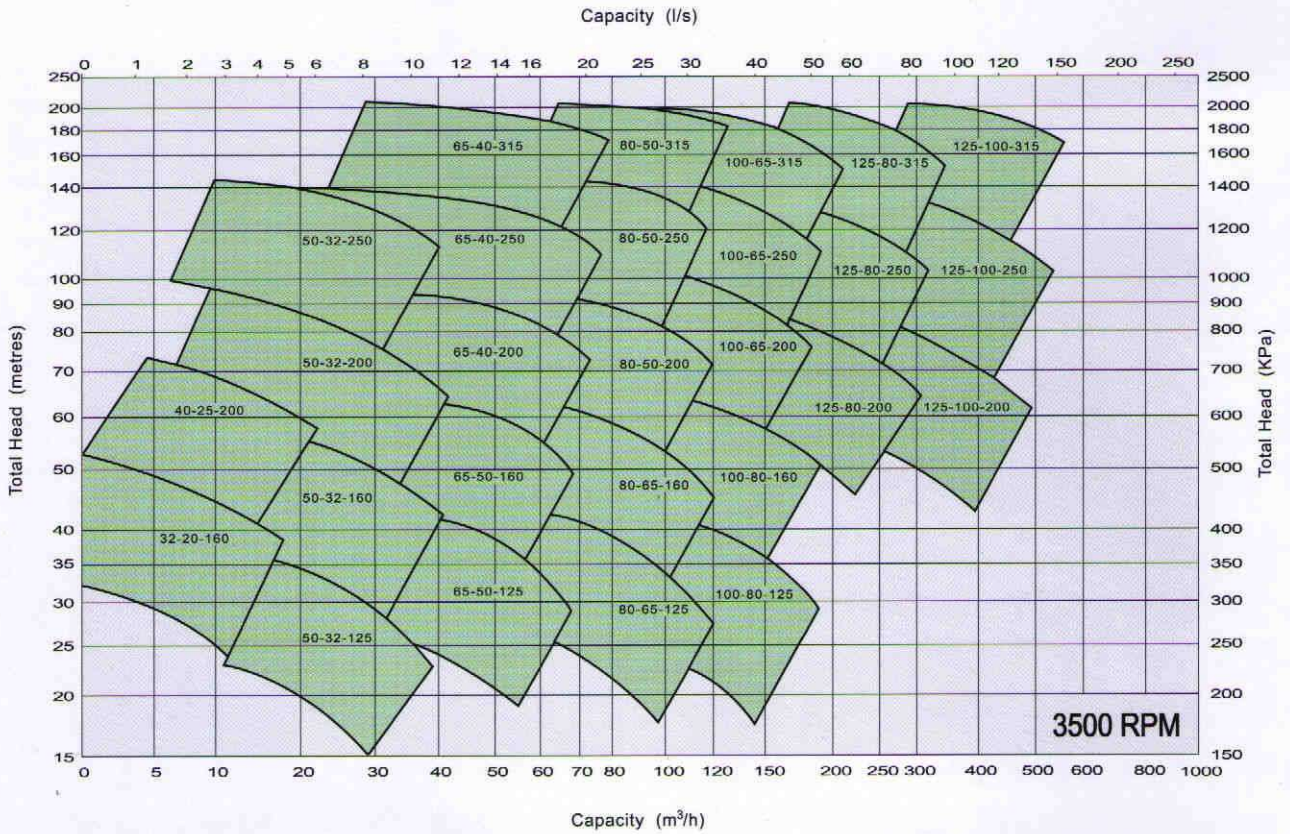
Material Specification

Part	Standard	Option
Casing	Cast Iron	Stainless Steel
Impeller	Bronze	Cast Iron or Stainless Steel
Shaft	Stainless Steel	High Tensile Steel
Stuffing Box	Mechanical Seal	Gland Packing

Coverage Charts – 50 Hz

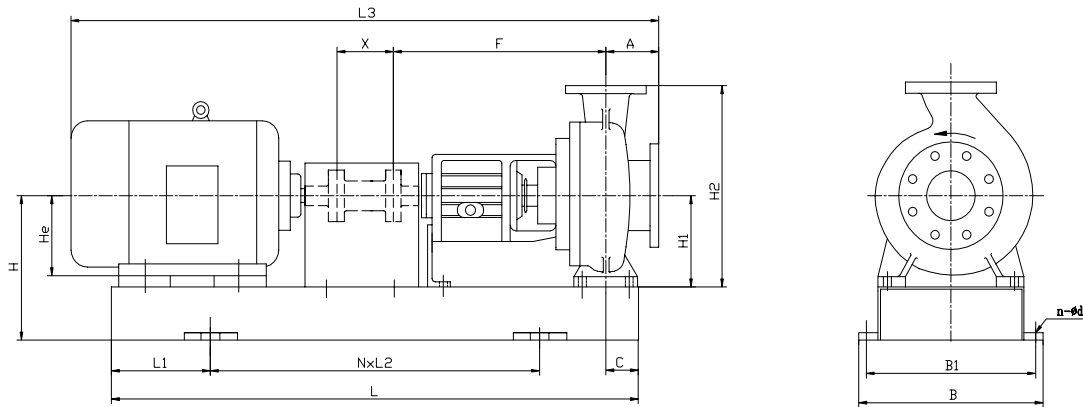


Coverage Charts – 60 Hz



ACME PUMPS

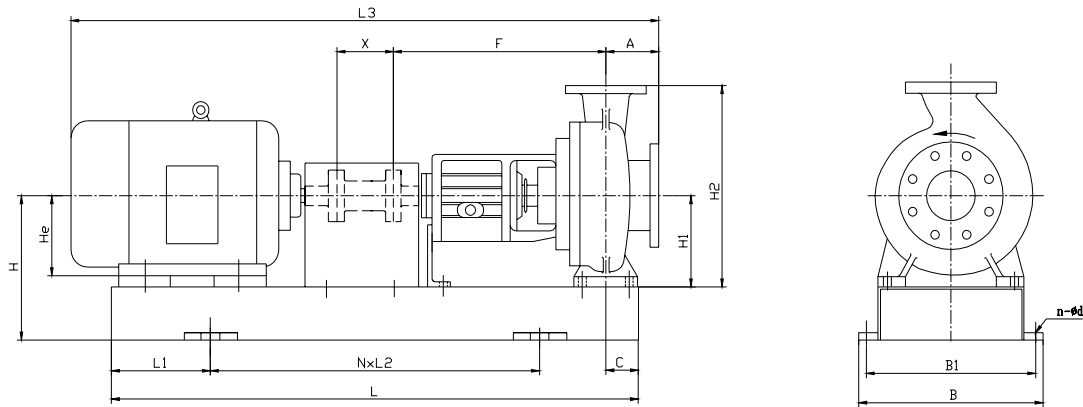
ES & SES PUMP OUTLINE DIMENSIONS (mm)
(for frame 0 to frame 3)



PUMP SIZE	MOTOR SIZE	A	F	X	H1	H2	H	HE	L1	N x L2	L3	L	C	B1	B	n-φd	Wt(kg)	SHIPPING VOL. (m3)
50-32-125	132S2-2/7.5KW	80	385	3	112	252	212	132	150	1X510	938	810	60	330	380	4-φ20	129	0.42
	132S1-2/5.5KW	80	385	3	112	252	212	132	150	1X510	938	810	60	330	380	4-φ20	126	0.42
	112M-2/4KW	80	385	2	112	252	192	112	150	1X510	867	810	60	330	380	4-φ20	104	0.37
	100L-2/3KW	80	385	2	112	252	192	100	150	1X510	852	810	60	330	380	4-φ20	94	0.35
	90L-2/2.2KW	80	385	2	112	252	192	90	150	1X510	807	810	60	330	380	4-φ20	88	0.33
	90S-4/1.1KW	80	385	2	112	252	192	90	150	1X510	782	810	60	330	380	4-φ20	85	0.32
	802-4/0.75KW	80	385	2	112	252	192	80	150	1X510	762	810	60	330	380	4-φ20	86	0.31
	801-4/0.55KW	80	385	2	112	252	192	80	150	1X510	762	810	60	330	380	4-φ20	77	0.31
	712-4/0.37KW	80	385	2	112	252	192	71	150	1X510	717	810	60	330	380	4-φ20	76	0.29
711-4/0.25KW	80	385	2	112	252	192	71	150	1X510	717	810	60	330	380	4-φ20	75	0.29	
65-50-125	160M1-2/11KW	80	385	3	112	252	240	160	150	1X700	1083	1000	60	400	450	4-φ20	182	0.59
	132S2-2/7.5KW	80	385	3	112	252	212	132	150	1X510	938	810	60	330	380	4-φ20	129	0.42
	132S1-2/5.5KW	80	385	3	112	252	212	132	150	1X510	938	810	60	330	380	4-φ20	126	0.42
	112M-2/4KW	80	385	2	112	252	192	112	150	1X510	867	810	60	330	380	4-φ20	108	0.37
	100L-2/3KW	80	385	2	112	252	192	100	150	1X510	852	810	60	330	380	4-φ20	101	0.35
	90L-2/2.2KW	80	385	2	112	252	192	90	150	1X510	807	810	60	330	380	4-φ20	89	0.33
	90S-4/1.1KW	80	385	2	112	252	192	90	150	1X510	782	810	60	330	380	4-φ20	86	0.32
	802-4/0.75KW	80	385	2	112	252	192	80	150	1X510	762	810	60	330	380	4-φ20	81	0.31
	801-4/0.55KW	80	385	2	112	252	192	80	150	1X510	762	810	60	330	380	4-φ20	80	0.31
712-4/0.37KW	80	385	2	112	252	192	71	150	1X510	717	810	60	330	380	4-φ20	79	0.29	
711-4/0.25KW	80	385	2	112	252	192	71	150	1X510	717	810	60	330	380	4-φ20	79	0.29	
80-65-125	160M2-2/15KW	100	385	3	132	307	240	160	150	1X700	1103	1000	60	400	450	4-φ20	203	0.60
	160M1-2/11KW	100	385	3	132	307	240	160	150	1X700	1103	1000	60	400	450	4-φ20	193	0.60
	132S2-2/7.5KW	100	385	3	132	307	212	132	150	1X510	958	810	60	330	380	4-φ20	140	0.43
	132S1-2/5.5KW	100	385	3	132	307	212	132	150	1X510	958	810	60	330	380	4-φ20	137	0.43
	112M-2/4KW	100	385	3	132	307	212	132	150	1X510	888	810	60	330	380	4-φ20	111	0.39
	90L-4/1.5KW	100	385	2	132	307	212	90	150	1X510	827	810	60	330	380	4-φ20	93	0.35
	90S-4/1.1KW	100	385	2	132	307	212	90	150	1X510	802	810	60	330	380	4-φ20	87	0.34
	802-4/0.75KW	100	385	2	132	307	212	80	150	1X510	782	810	60	330	380	4-φ20	88	0.32
	801-4/0.55KW	100	385	2	132	307	212	80	150	1X510	782	810	60	330	380	4-φ20	87	0.32

ACME PUMPS

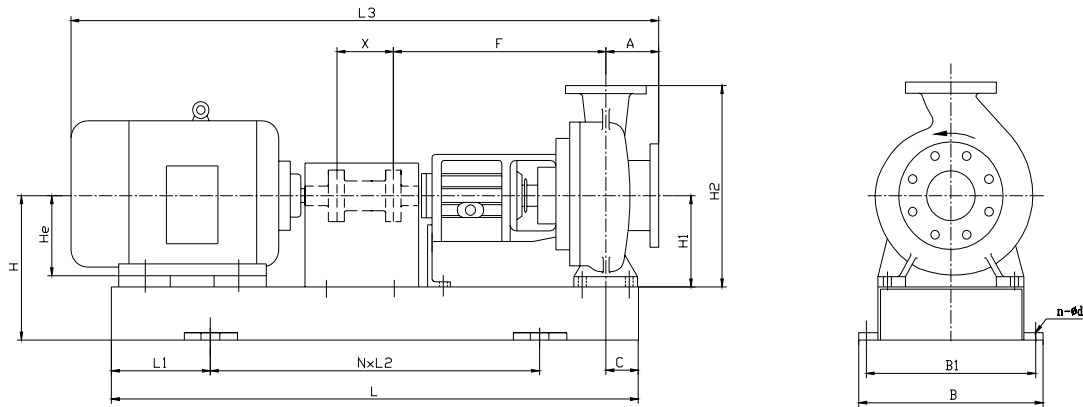
ES & SES PUMP OUTLINE DIMENSIONS (mm)
(for frame 0 to frame 3)



PUMP SIZE	MOTOR SIZE	A	F	X	H1	H2	H	HE	L1	N x L2	L3	L	C	B1	B	n-φd	Wt(kg)	SHIPPING VOL. (m3)
100-80-125	180M-2/22KW	100	385	3	160	350	260	180	150	1X700	1188	1000	70	400	450	4-φ20	252	0.68
	160L-2/18.5KW	100	385	3	160	350	240	160	150	1X700	1158	1000	70	400	450	4-φ20	221	0.62
	160M2-2/15KW	100	385	3	160	350	240	160	150	1X700	1103	1000	70	400	450	4-φ20	204	0.60
	160M1-2/11KW	100	385	3	160	350	240	160	150	1X700	1103	1000	70	400	450	4-φ20	194	0.60
	132S2-2/7.5KW	100	385	3	160	350	240	132	150	1X510	958	810	70	330	380	4-φ20	142	0.44
	132S1-2/5.5KW	100	385	3	160	350	240	132	150	1X510	958	810	70	330	380	4-φ20	139	0.44
	112M-2/4KW	100	385	2	160	350	240	132	150	1X510	887	810	70	330	380	4-φ20	119	0.40
	100L2-4/3KW	100	385	2	160	350	240	100	150	1X510	872	810	70	330	380	4-φ20	104	0.38
	100L1-4/2.2KW	100	385	2	160	350	240	100	150	1X510	872	810	70	330	380	4-φ20	103	0.38
	90L-4/1.5KW	100	385	2	160	350	240	90	150	1X510	827	810	70	330	380	4-φ20	92	0.36
	90S-4/1.1KW	100	385	2	160	350	240	90	150	1X510	802	810	70	330	380	4-φ20	92	0.35
802-4/0.75KW	100	385	2	160	350	240	90	150	1X510	782	810	70	330	380	4-φ20	87	0.34	
32-20-160	132S2-2/7.5KW	80	385	3	132	292	212	132	150	1X510	938	810	60	330	380	4-φ20	120	0.42
	132S1-2/5.5KW	80	385	3	132	292	212	132	150	1X510	938	810	60	330	380	4-φ20	117	0.42
	112M-2/4KW	80	385	2	132	292	212	112	150	1X510	867	810	60	330	380	4-φ20	96	0.38
	100L-2/3KW	80	385	2	132	292	212	100	150	1X510	852	810	60	330	380	4-φ20	89	0.36
	90L-2/2.2KW	80	385	2	132	292	212	90	150	1X510	807	810	60	330	380	4-φ20	78	0.34
	90S-2/1.5KW	80	385	2	132	292	212	90	150	1X510	782	810	60	330	380	4-φ20	75	0.33
	802-4/0.75KW	80	385	2	132	292	212	80	150	1X510	762	810	60	330	380	4-φ20	69	0.32
	801-4/0.55KW	80	385	2	132	292	212	80	150	1X510	762	810	60	330	380	4-φ20	69	0.32
	801-4/0.55KW	80	385	2	132	292	212	80	150	1X510	762	810	60	330	380	4-φ20	68	0.32
	712-4/0.37KW	80	385	2	132	292	212	71	150	1X510	717	810	60	330	380	4-φ20	68	0.30
711-4/0.25KW	80	385	2	132	292	212	71	150	1X510	717	810	60	330	380	4-φ20	65	0.30	
50-32-160	160M1-2/11KW	80	385	3	132	292	240	160	150	1X700	1083	1000	60	400	450	4-φ20	183	0.59
	132S2-2/7.5KW	80	385	3	132	292	212	132	150	1X510	938	810	60	330	380	4-φ20	130	0.42
	132S1-2/5.5KW	80	385	3	132	292	212	132	150	1X510	938	810	60	330	380	4-φ20	127	0.42
	112M-2/4KW	80	385	2	132	292	212	112	150	1X510	867	810	60	330	380	4-φ20	106	0.38
	100L-2/3KW	80	385	2	132	292	212	100	150	1X510	852	810	60	330	380	4-φ20	99	0.36
	90L-2/2.2KW	80	385	2	132	292	212	90	150	1X510	807	810	60	330	380	4-φ20	92	0.34
	90L-4/1.5KW	80	385	2	132	292	212	90	150	1X510	807	810	60	330	380	4-φ20	94	0.34
	90S-4/1.1KW	80	385	2	132	292	212	90	150	1X510	782	810	60	330	380	4-φ20	83	0.33
	802-4/0.75KW	80	385	2	132	292	212	80	150	1X510	762	810	60	330	380	4-φ20	84	0.32
	801-4/0.55KW	80	385	2	132	292	212	80	150	1X510	762	810	60	330	380	4-φ20	83	0.32
	712-4/0.37KW	80	385	2	132	292	212	71	150	1X510	717	810	60	330	380	4-φ20	78	0.29
711-4/0.25KW	80	385	2	132	292	212	71	150	1X510	717	810	60	330	380	4-φ20	78	0.29	

ACME PUMPS

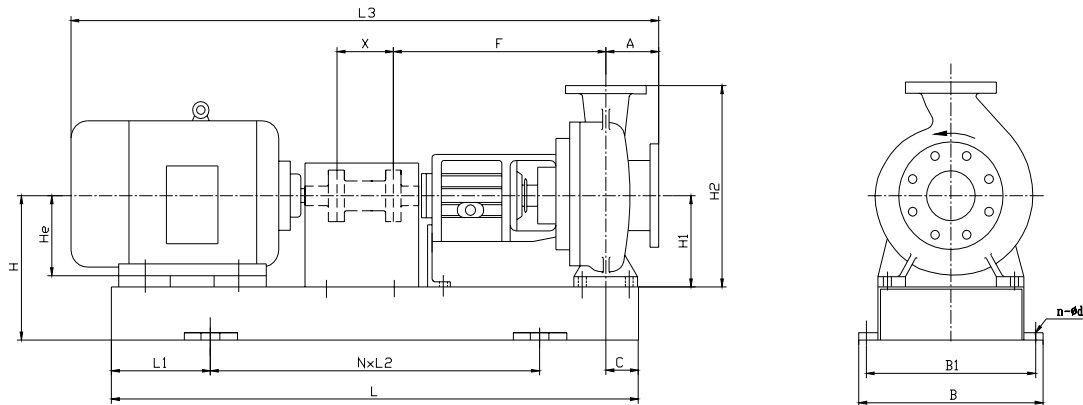
ES & SES PUMP OUTLINE DIMENSIONS (mm)
(for frame 0 to frame 3)



PUMP SIZE	MOTOR SIZE	A	F	X	H1	H2	H	HE	L1	N×L2	L3	L	C	B1	B	n-φd	Wt(kg)	SHIPPING VOL. (m3)
65-50-160	160M2-2/15KW	80	385	3	132	292	240	160	150	1X700	1083	1000	60	400	450	4-φ20	198	0.59
	160M1-2/11KW	80	385	3	132	292	240	160	150	1X700	1083	1000	60	400	450	4-φ20	188	0.59
	132S2-2/7.5KW	80	385	3	132	292	212	132	150	1X510	938	810	60	330	380	4-φ20	135	0.42
	132S1-2/5.5KW	80	385	3	132	292	212	132	150	1X510	938	810	60	330	380	4-φ20	132	0.42
	112M-2/4KW	80	385	2	132	292	212	100	150	1X510	867	810	60	330	380	4-φ20	108	0.38
	100L1-4/2.2KW	80	385	2	132	292	212	100	150	1X510	852	810	60	330	380	4-φ20	102	0.36
	90L-4/1.5KW	80	385	2	132	292	212	90	150	1X510	807	810	60	330	380	4-φ20	91	0.34
	90S-4/1.1KW	80	385	2	132	292	212	90	150	1X510	782	810	60	330	380	4-φ20	88	0.33
	802-4/0.75KW	80	385	2	132	292	212	80	150	1X510	762	810	60	330	380	4-φ20	82	0.32
	801-4/0.55KW	80	385	2	132	292	212	80	150	1X510	762	810	60	330	380	4-φ20	81	0.32
712-4/0.37KW	80	385	2	132	292	212	71	150	1X510	717	810	60	330	380	4-φ20	76	0.29	
80-65-160	200L1-2/30KW	100	385	3	160	340	285	200	150	1X900	1258	1200	60	450	500	4-φ20	342	0.81
	180M-2/22KW	100	385	3	160	340	260	180	150	1X700	1218	1000	60	400	450	4-φ20	257	0.70
	160L-2/18.5KW	100	385	3	160	340	240	160	150	1X700	1158	1000	60	400	450	4-φ20	224	0.62
	160M2-2/15KW	100	385	3	160	340	240	160	150	1X700	1103	1000	60	400	450	4-φ20	208	0.60
	160M1-2/11KW	100	385	3	160	340	240	160	150	1X700	1103	1000	60	400	450	4-φ20	198	0.60
	132S2-2/7.5KW	100	385	3	160	340	240	132	150	1X510	958	810	60	330	380	4-φ20	145	0.44
	132S1-2/5.5KW	100	385	3	160	340	240	132	150	1X510	958	810	60	330	380	4-φ20	142	0.44
	112M-4/4KW	100	385	2	160	340	240	112	150	1X510	887	810	60	330	380	4-φ20	124	0.40
	100L2-4/3KW	100	385	2	160	340	240	100	150	1X510	872	810	60	330	380	4-φ20	115	0.38
	100L1-4/2.2KW	100	385	2	160	340	240	100	150	1X510	872	810	60	330	380	4-φ20	114	0.38
	90L-4/1.5KW	100	385	2	160	340	240	90	150	1X510	827	810	60	330	380	4-φ20	97	0.36
	90S-4/1.1KW	100	385	2	160	340	240	90	150	1X510	802	810	60	330	380	4-φ20	91	0.35
802-4/0.75KW	100	385	2	160	340	240	80	150	1X510	782	810	60	330	380	4-φ20	92	0.34	
100-80-160	200L2-2/37KW	100	500	4	160	365	285	200	150	1X900	1374	1200	75	450	500	4-φ20	391	0.88
	200L1-2/30KW	100	500	4	160	365	285	200	150	1X900	1374	1200	75	450	500	4-φ20	372	0.88
	180M-2/22KW	100	500	3	160	365	265	180	150	1X900	1303	1200	75	450	500	4-φ20	299	0.81
	160L-2/18.5KW	100	500	3	160	365	245	160	150	1X900	1273	1200	75	450	500	4-φ20	257	0.74
	160M2-2/15KW	100	500	3	160	365	245	160	150	1X900	1218	1200	75	450	500	4-φ20	240	0.71
	160M1-2/11KW	100	500	3	160	365	245	160	150	1X900	1218	1200	75	450	500	4-φ20	231	0.71
	132S-4/5.5KW	100	500	3	160	365	240	132	150	1X700	1073	1000	75	400	450	4-φ20	177	0.55
	112M-4/4KW	100	500	2	160	365	240	112	150	1X700	1002	1000	75	400	450	4-φ20	167	0.51
	100L2-4/3KW	100	500	2	160	365	240	100	150	1X700	987	1000	75	400	450	4-φ20	158	0.48
	100L1-4/2.2KW	100	500	2	160	365	240	100	150	1X700	987	1000	75	400	450	4-φ20	156	0.48
90L-4/1.5KW	100	500	2	160	365	240	90	150	1X700	942	1000	75	400	450	4-φ20	146	0.46	
90S-4/1.1KW	100	500	2	160	365	240	90	150	1X700	917	1000	75	400	450	4-φ20	140	0.44	

ACME PUMPS

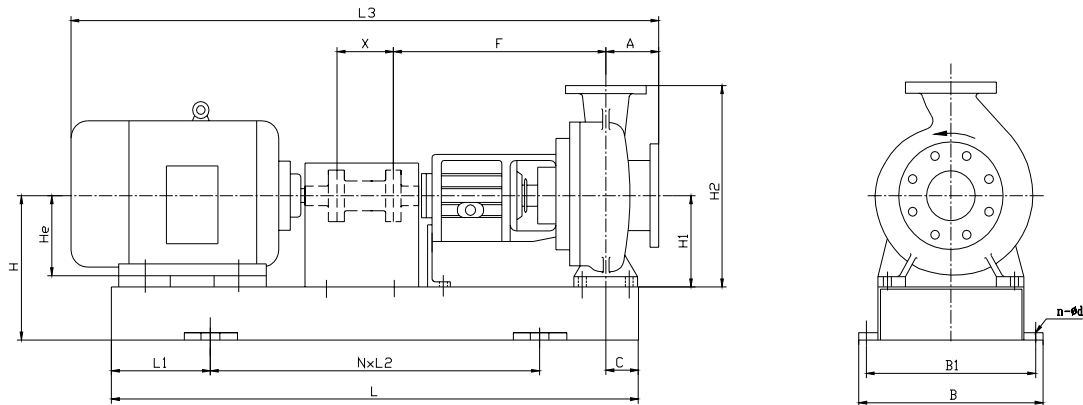
ES & SES PUMP OUTLINE DIMENSIONS (mm)
(for frame 0 to frame 3)



PUMP SIZE	MOTOR SIZE	A	F	X	H1	H2	H	HE	L1	N x L2	L3	L	C	B1	B	n-φd	Wt(kg)	SHIPPING VOL. (m3)
40-25-200	160M1-2/11KW	80	385	3	160	340	240	160	150	1X700	1083	1000	60	400	450	4-φ20	185	0.59
	132S2-2/7.5KW	80	385	3	160	340	240	132	150	1X510	938	810	60	330	380	4-φ20	128	0.43
	132S1-2/5.5KW	80	385	3	160	340	240	132	150	1X510	938	810	60	330	380	4-φ20	125	0.43
	112M-2/4KW	80	385	2	160	340	240	112	150	1X510	867	810	60	330	380	4-φ20	104	0.40
	100L-2/3KW	80	385	2	160	340	240	100	150	1X510	852	810	60	330	380	4-φ20	97	0.38
	90L-2/2.2KW	80	385	2	160	340	240	90	150	1X510	807	810	60	330	380	4-φ20	82	0.35
	90L-4/1.5KW	80	385	2	160	340	240	90	150	1X510	807	810	60	330	380	4-φ20	84	0.35
	90S-4/1.1KW	80	385	2	160	340	240	90	150	1X510	782	810	60	330	380	4-φ20	79	0.34
	802-4/0.75KW	80	385	2	160	340	240	80	150	1X510	762	810	60	330	380	4-φ20	74	0.33
	801-4/0.55KW	80	385	2	160	340	240	80	150	1X510	762	810	60	330	380	4-φ20	73	0.33
712-4/0.37KW	80	385	2	160	340	240	71	150	1X510	717	810	60	330	380	4-φ20	72	0.31	
50-32-200	160M2-2/15KW	80	385	3	160	340	240	160	150	1X700	1083	1000	60	400	450	4-φ20	202	0.59
	160M1-2/11KW	80	385	3	160	340	240	160	150	1X700	1083	1000	60	400	450	4-φ20	192	0.59
	132S2-2/7.5KW	80	385	3	160	340	240	132	150	1X510	938	810	60	330	380	4-φ20	138	0.43
	132S1-2/5.5KW	80	385	3	160	340	240	132	150	1X510	938	810	60	330	380	4-φ20	135	0.43
	112M-2/4KW	80	385	2	160	340	240	112	150	1X510	867	810	60	330	380	4-φ20	110	0.40
	100L-2/3KW	80	385	2	160	340	240	100	150	1X510	852	810	60	330	380	4-φ20	103	0.39
	100L1-4/2.2KW	80	385	2	160	340	240	100	150	1X510	852	810	60	330	380	4-φ20	102	0.38
	90L-4/1.5KW	80	385	2	160	340	240	90	150	1X510	807	810	60	330	380	4-φ20	86	0.35
	90S-4/1.1KW	80	385	2	160	340	240	90	150	1X510	782	810	60	330	380	4-φ20	86	0.34
	802-4/0.75KW	80	385	2	160	340	240	80	150	1X510	762	810	60	330	380	4-φ20	80	0.33
801-4/0.55KW	80	385	2	160	340	240	80	150	1X500	762	810	60	330	380	4-φ20	80	0.33	

ACME PUMPS

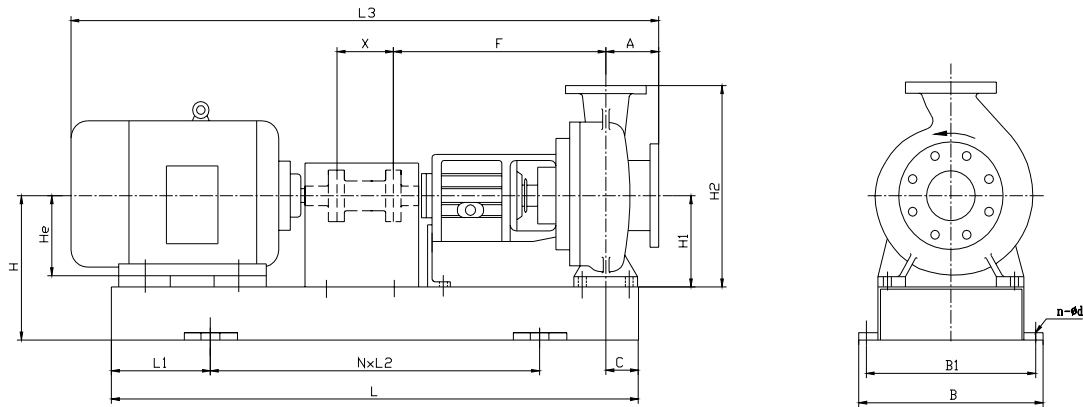
ES & SES PUMP OUTLINE DIMENSIONS (mm)
(for frame 0 to frame 3)



PUMP SIZE	MOTOR SIZE	A	F	X	H1	H2	H	HE	L1	N×L2	L3	L	C	B1	B	n-φd	Wt(kg)	SHIPPING VOL. (m3)
65-40-200	200L1-2/30KW	100	385	3	160	340	285	200	150	1X900	1259	1200	60	450	500	4-φ20	343	0.82
	180M-2/22KW	100	385	3	160	340	260	180	150	1X700	1188	1000	60	400	450	4-φ20	258	0.68
	160L-2/18.5KW	100	385	3	160	340	240	160	150	1X700	1158	1000	60	400	450	4-φ20	226	0.62
	160M2-2/15KW	100	385	3	160	340	240	160	150	1X700	1103	1000	60	400	450	4-φ20	209	0.60
	160M1-2/11KW	100	385	3	160	340	240	160	150	1X700	1103	1000	60	400	450	4-φ20	199	0.60
	132S2-2/7.5KW	100	385	3	160	340	240	132	150	1X510	958	810	60	330	380	4-φ20	143	0.44
	132S1-2/5.5KW	100	385	3	160	340	240	132	150	1X510	958	810	60	330	380	4-φ20	140	0.44
	112M-4/4KW	100	385	2	160	340	240	112	150	1X510	887	810	60	330	380	4-φ20	123	0.40
	100L2-4/3KW	100	385	2	160	340	240	100	150	1X510	872	810	60	330	380	4-φ20	114	0.38
	100L1-4/2.2KW	100	385	2	160	340	240	100	150	1X510	872	810	60	330	380	4-φ20	113	0.38
	90L-4/1.5KW	100	385	2	160	340	240	90	150	1X510	827	810	60	330	380	4-φ20	96	0.36
	90S-4/1.1KW	100	385	2	160	340	240	90	150	1X510	802	810	60	330	380	4-φ20	90	0.35
	802-4/0.75KW	100	385	2	160	340	240	80	150	1X510	782	810	60	330	380	4-φ20	89	0.34
	801-4/0.55KW	100	385	2	160	340	240	80	150	1X510	782	810	60	330	380	4-φ20	89	0.34
80-50-200	225M-2/45KW	100	385	4	160	360	310	225	150	1X900	1309	1200	60	450	500	4-φ20	404	0.90
	200L2-2/37KW	100	385	4	160	360	285	200	150	1X900	1259	1200	60	450	500	4-φ20	361	0.82
	200L1-2/30KW	100	385	4	160	360	285	200	150	1X900	1259	1200	60	450	500	4-φ20	342	0.82
	180M-2/22KW	100	385	3	160	360	260	180	150	1X700	1188	1000	60	400	450	4-φ20	256	0.68
	160L-2/18.5KW	100	385	3	160	360	240	160	150	1X700	1158	1000	60	400	450	4-φ20	228	0.62
	160M2-2/15KW	100	385	3	160	360	240	160	150	1X700	1103	1000	60	400	450	4-φ20	211	0.60
	160M1-2/11KW	100	385	3	160	360	240	160	150	1X700	1103	1000	60	400	450	4-φ20	201	0.60
	132S2-2/7.5KW	100	385	3	160	360	240	132	150	1X510	958	810	60	330	380	4-φ20	146	0.44
	132M-4/7.5KW	100	385	3	160	360	240	132	150	1X510	958	810	60	330	380	4-φ20	155	0.44
	132S-4/5.5KW	100	385	3	160	360	240	132	150	1X510	958	810	60	330	380	4-φ20	143	0.44
	112M-4/4KW	100	385	2	160	360	240	112	150	1X510	887	810	60	330	380	4-φ20	133	0.40
	100L2-4/3KW	100	385	2	160	360	240	100	150	1X510	872	810	60	330	380	4-φ20	124	0.38
	100L1-4/2.2KW	100	385	2	160	360	240	100	150	1X510	872	810	60	330	380	4-φ20	120	0.38
	90L-4/1.5KW	100	385	2	160	360	240	90	150	1X510	827	810	60	330	380	4-φ20	108	0.36
	90S-4/1.1KW	100	385	2	160	360	240	90	150	1X510	802	810	60	330	380	4-φ20	108	0.35

ACME PUMPS

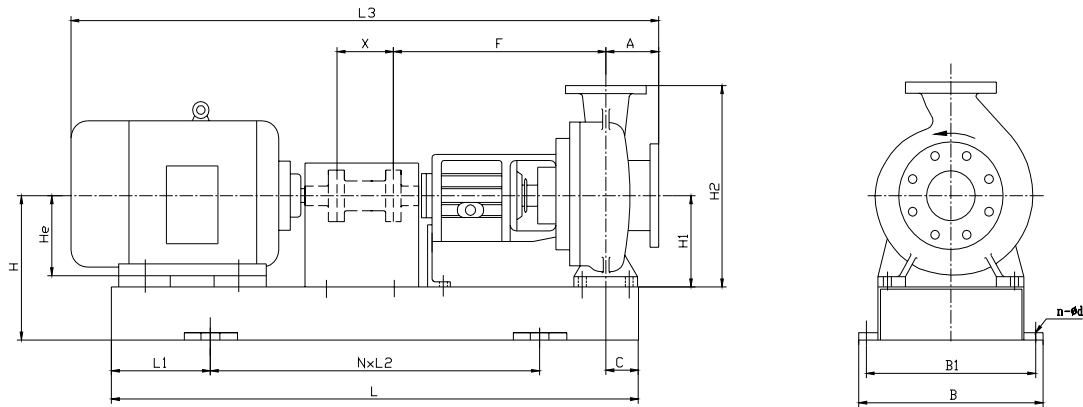
ES & SES PUMP OUTLINE DIMENSIONS (mm)
(for frame 0 to frame 3)



PUMP SIZE	MOTOR SIZE	A	F	X	H1	H2	H	HE	L1	N×L2	L3	L	C	B1	B	n-φd	Wt(kg)	SHIPPING VOL. (m3)
100-65-200	280S-2/75KW	100	500	4	180	405	365	280	150	1X1150	1589	1450	75	600	650	4-φ20	669	1.53
	250M-2/55KW	100	500	4	180	405	335	250	150	1X1150	1514	1450	75	600	650	4-φ20	550	1.34
	225M-2/45KW	100	500	4	180	405	310	225	150	1X1150	1424	1450	75	600	650	4-φ20	440	1.20
	200L2-2/37KW	100	500	4	180	405	285	200	150	1X900	1374	1200	75	450	500	4-φ20	390	0.88
	200L1-2/30KW	100	500	4	180	405	285	200	150	1X900	1374	1200	75	450	500	4-φ20	371	0.88
	180M-2/22KW	100	500	3	180	405	265	180	150	1X900	1273	1200	75	450	500	4-φ20	320	0.79
	160L-2/18.5KW	100	500	3	180	405	265	160	150	1X900	1218	1200	75	450	500	4-φ20	267	0.73
	160M2-2/15KW	100	500	3	180	405	265	160	150	1X900	1218	1200	75	450	500	4-φ20	251	0.73
	160M-4/11KW	100	500	3	180	405	265	160	150	1X900	1218	1200	75	450	500	4-φ20	247	0.73
	132M-4/7.5KW	100	500	3	180	405	260	132	150	1X700	1113	1000	75	400	450	4-φ20	200	0.59
	132S-4/5.5KW	100	500	3	180	405	260	132	150	1X700	1073	1000	75	400	450	4-φ20	188	0.57
	112M-4/4KW	100	500	2	180	405	260	112	150	1X700	1002	1000	75	400	450	4-φ20	163	0.52
	100L2-4/3KW	100	500	2	180	405	260	100	150	1X700	987	1000	75	400	450	4-φ20	155	0.50
	100L1-4/2.2KW	100	500	2	180	405	260	100	150	1X700	987	1000	75	400	450	4-φ20	154	0.50
125-80-200	280S-2/75KW	125	500	4	180	430	365	280	150	1X1150	1614	1450	75	600	650	4-φ20	677	1.55
	250M-2/55KW	125	500	4	180	430	335	250	150	1X1150	1539	1450	75	600	650	4-φ20	558	1.36
	225M-2/45KW	125	500	4	180	430	310	225	150	1X1150	1449	1450	75	600	650	4-φ20	475	1.22
	200L2-2/37KW	125	500	4	180	430	285	200	150	1X900	1399	1200	75	450	500	4-φ20	400	0.90
	200L1-2/30KW	125	500	4	180	430	285	200	150	1X900	1399	1200	75	450	500	4-φ20	381	0.90
	180M-2/22KW	125	500	3	180	430	265	180	150	1X900	1358	1200	75	450	500	4-φ20	322	0.84
	160M2-2/18.5KW	125	500	3	180	430	265	160	150	1X900	1243	1200	75	450	500	4-φ20	292	0.74
	160M-4/11KW	125	500	3	180	430	265	160	150	1X900	1243	1200	75	450	500	4-φ20	271	0.74
	132M-4/7.5KW	125	500	3	180	430	260	132	150	1X700	1138	1000	75	400	450	4-φ20	218	0.60
	132S-4/5.5KW	125	500	3	180	430	260	132	150	1X700	1098	1000	75	400	450	4-φ20	207	0.58
	112M-4/4KW	125	500	2	180	430	260	112	150	1X700	1027	1000	75	400	450	4-φ20	184	0.53
	100L2-4/3KW	125	500	2	180	430	260	100	150	1X700	1012	1000	75	400	450	4-φ20	169	0.51
	100L1-4/2.2KW	125	500	2	180	430	260	100	150	1X700	1012	1000	75	400	450	4-φ20	168	0.51
	90L-4/1.5KW	125	500	2	180	430	260	90	150	1X700	967	1000	75	400	450	4-φ20	157	0.48

ACME PUMPS

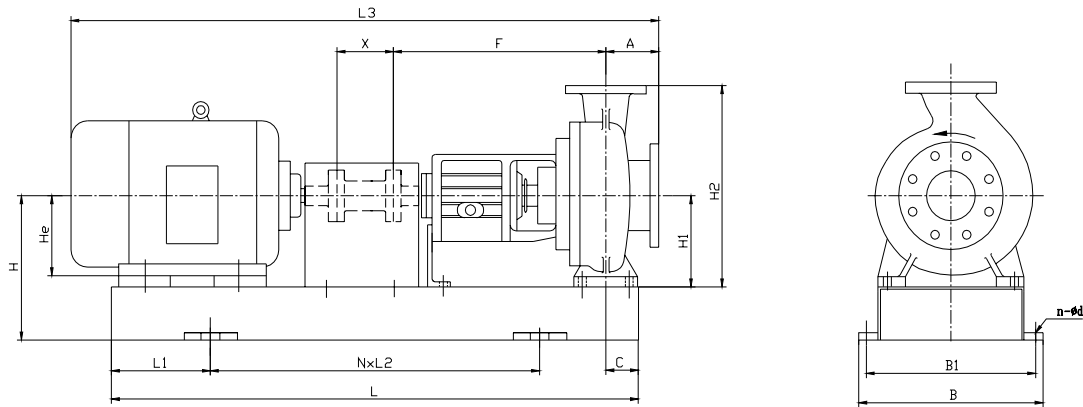
ES & SES PUMP OUTLINE DIMENSIONS (mm)
(for frame 0 to frame 3)



PUMP SIZE	MOTOR SIZE	A	F	X	H1	H2	H	HE	L1	N x L2	L3	L	C	B1	B	n-φd	Wt(kg)	SHIPPING VOL. (m3)
125-100-200	315S-2/110KW	125	500	4	200	480	400	315	150	2X680	1789	1660	85	690	740	6-φ20	1093	2.24
	280M-2/90KW	125	500	4	200	480	365	280	150	1X1150	1664	1450	85	600	650	4-φ20	706	1.60
	280S-2/75KW	125	500	4	200	480	365	280	150	1X1150	1614	1450	85	600	650	4-φ20	684	1.55
	250M-2/55KW	125	500	4	200	480	335	250	150	1X1150	1539	1450	85	600	650	4-φ20	565	1.36
	225M-2/45KW	125	500	4	200	480	310	225	150	1X1150	1449	1450	85	600	650	4-φ20	479	1.22
	200L2-2/37KW	125	500	4	200	480	285	200	150	1X900	1399	1200	85	450	500	4-φ20	404	0.90
	180M-4/18.5KW	125	500	3	200	480	285	180	150	1X900	1328	1200	85	450	500	4-φ20	334	0.84
	160L-4/15KW	125	500	3	200	480	285	160	150	1X900	1298	1200	85	450	500	4-φ20	291	0.79
	160M-4/11KW	125	500	3	200	480	285	160	150	1X900	1243	1200	85	450	500	4-φ20	276	0.76
	132M-4/7.5KW	125	500	3	200	480	280	132	150	1X700	1138	1000	85	400	450	4-φ20	214	0.61
	132S-4/5.5KW	125	500	3	200	480	280	132	150	1X700	1098	1000	85	400	450	4-φ20	203	0.59
	112M-4/4KW	125	500	2	200	480	280	112	150	1X700	1027	1000	85	400	450	4-φ20	190	0.55
100L2-4/3KW	125	500	2	200	480	280	100	150	1X700	1012	1000	85	400	450	4-φ20	184	0.52	
50-32-250	200L1-2/30KW	100	500	4	180	405	285	200	150	1X900	1374	1200	75	450	500	4-φ20	354	0.88
	180M-2/22KW	100	500	3	180	405	265	180	150	1X900	1303	1200	75	450	500	4-φ20	289	0.81
	160L-2/18.5KW	100	500	3	180	405	265	160	150	1X900	1273	1200	75	450	500	4-φ20	256	0.76
	160M2-2/15KW	100	500	3	180	405	265	160	150	1X900	1218	1200	75	450	500	4-φ20	240	0.73
	160M1-2/11KW	100	500	3	180	405	265	160	150	1X900	1218	1200	75	450	500	4-φ20	230	0.73
	132S2-2/7.5KW	100	500	3	180	405	260	132	150	1X700	1073	1000	75	400	450	4-φ20	174	0.57
	132S-4/5.5KW	100	500	3	180	405	260	132	150	1X700	1073	1000	75	400	450	4-φ20	171	0.57
	112M-4/4KW	100	500	2	180	405	260	112	150	1X700	1002	1000	75	400	450	4-φ20	149	0.52
	100L2-4/3KW	100	500	2	180	405	260	100	150	1X700	987	1000	75	400	450	4-φ20	144	0.50
	100L1-4/2.2KW	100	500	2	180	405	260	100	150	1X700	987	1000	75	400	450	4-φ20	143	0.50
	90L-4/1.5KW	100	500	2	180	405	260	90	150	1X700	942	1000	75	400	450	4-φ20	132	0.47
	90S-4/1.1KW	100	500	2	180	405	260	90	150	1X700	917	1000	75	400	450	4-φ20	132	0.46
802-4/0.75KW	100	500	2	180	405	260	90	150	1X700	897	1000	75	400	450	4-φ20	124	0.44	

ACME PUMPS

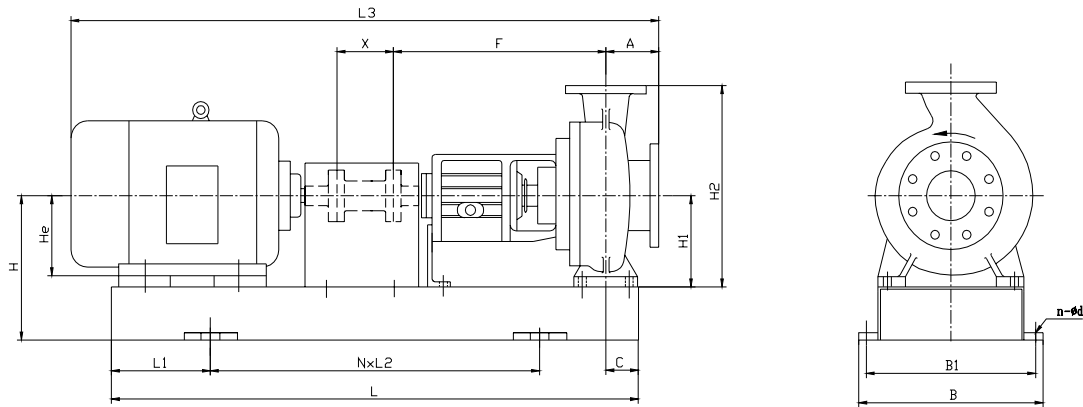
ES & SES PUMP OUTLINE DIMENSIONS (mm)
(for frame 0 to frame 3)



PUMP SIZE	MOTOR SIZE	A	F	X	H1	H2	H	HE	L1	N x L2	L3	L	C	B1	B	n-φd	Wt(kg)	SHIPPING VOL. (m3)
65-40-250	250M-2/55KW	100	500	4	180	405	335	250	150	1X1150	1514	1450	75	600	650	4-φ20	541	1.34
	225M-2/45KW	100	500	4	180	405	310	225	150	1X1150	1424	1450	75	600	650	4-φ20	461	1.20
	200L2-2/37KW	100	500	4	180	405	285	200	150	1X900	1374	1200	75	450	500	4-φ20	385	0.88
	200L1-2/30KW	100	500	4	180	405	285	200	150	1X900	1374	1200	75	450	500	4-φ20	366	0.88
	180M-2/22KW	100	500	3	180	405	265	180	150	1X900	1333	1200	75	450	500	4-φ20	301	0.82
	160L-2/18.5KW	100	500	3	180	405	265	160	150	1X900	1273	1200	75	450	500	4-φ20	268	0.76
	160M2-2/15KW	100	500	3	180	405	265	160	150	1X900	1218	1200	75	450	500	4-φ20	252	0.73
	160M1-2/11KW	100	500	3	180	405	265	160	150	1X900	1218	1200	75	450	500	4-φ20	242	0.73
	132S2-2/7.5KW	100	500	3	180	405	260	132	150	1X700	1073	1000	75	400	450	4-φ20	190	0.57
	132M-4/7.5KW	100	500	3	180	405	260	132	150	1X700	1113	1000	75	400	450	4-φ20	201	0.59
	132S-4/5.5KW	100	500	3	180	405	260	132	150	1X700	1073	1000	75	400	450	4-φ20	189	0.57
	112M-4/4KW	100	500	2	180	405	260	112	150	1X700	1002	1000	75	400	450	4-φ20	156	0.52
	100L2-4/3KW	100	500	2	180	405	260	100	150	1X700	987	1000	75	400	450	4-φ20	151	0.50
	100L1-4/2.2KW	100	500	2	180	405	260	100	150	1X700	987	1000	75	400	450	4-φ20	150	0.50
	90L-4/1.5KW	100	500	2	180	405	260	90	150	1X700	942	1000	75	400	450	4-φ20	139	0.47
90S-4/1.1KW	100	500	2	180	405	260	90	150	1X700	917	1000	75	400	450	4-φ20	119	0.46	
80-50-250	280S-2/75KW	125	500	4	180	425	365	280	150	1X1150	1614	1450	75	600	650	4-φ20	669	1.55
	250M-2/55KW	125	500	4	180	425	335	250	150	1X1150	1539	1450	75	600	650	4-φ20	541	1.36
	225M-2/45KW	125	500	4	180	425	310	225	150	1X1150	1449	1450	75	600	650	4-φ20	474	1.22
	200L2-2/37KW	125	500	4	180	425	285	200	150	1X900	1399	1200	75	450	500	4-φ20	398	0.90
	200L1-2/30KW	125	500	4	180	425	285	200	150	1X900	1399	1200	75	450	500	4-φ20	379	0.90
	180M-2/22KW	125	500	3	180	425	265	180	150	1X900	1328	1200	75	450	500	4-φ20	313	0.82
	160M-4/11KW	125	500	3	180	425	265	160	150	1X900	1243	1200	75	450	500	4-φ20	261	0.74
	132M-4/7.5KW	125	500	3	180	425	260	132	150	1X700	1138	1000	75	400	450	4-φ20	202	0.60
	132S-4/5.5KW	125	500	3	180	425	260	132	150	1X700	1098	1000	75	400	450	4-φ20	190	0.58
	112M-4/4KW	125	500	2	180	425	260	112	150	1X700	1027	1000	75	400	450	4-φ20	167	0.53
	100L2-4/3KW	125	500	2	180	425	260	100	150	1X700	1012	1000	75	400	450	4-φ20	160	0.51
	100L1-4/2.2KW	125	500	2	180	425	260	100	150	1X700	1012	1000	75	400	450	4-φ20	159	0.51

ACME PUMPS

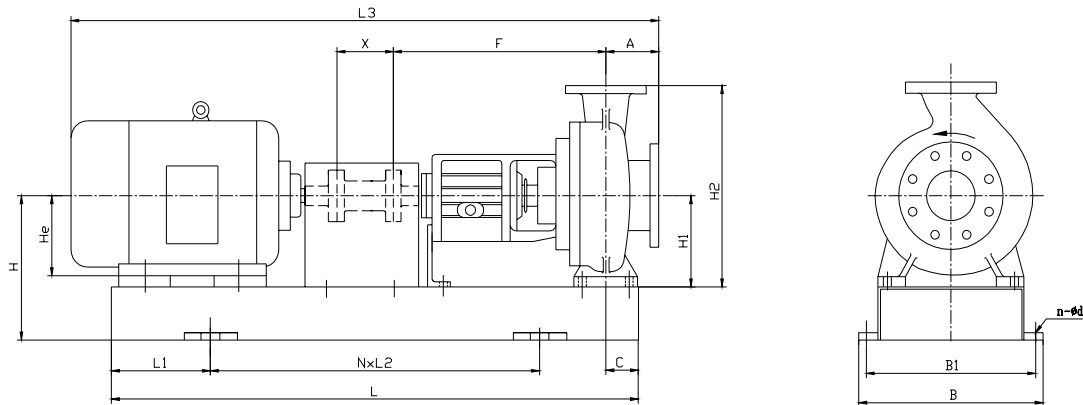
ES & SES PUMP OUTLINE DIMENSIONS (mm)
(for frame 0 to frame 3)



PUMP SIZE	MOTOR SIZE	A	F	X	H1	H2	H	HE	L1	N x L2	L3	L	C	B1	B	n-φd	Wt(kg)	SHIPPING VOL. (m3)
100-65-250	315S-2/110KW	125	500	4	200	450	400	315	150	2X680	1789	1660	85	690	740	6-φ20	1075	2.24
	280M-2/90KW	125	500	4	200	450	365	280	150	1X1150	1664	1450	85	600	650	4-φ20	705	1.60
	280S-2/75KW	125	500	4	200	450	365	280	150	1X1150	1614	1450	85	600	650	4-φ20	547	1.55
	250M-2/55KW	125	500	4	200	450	335	250	150	1X1150	1539	1450	85	600	650	4-φ20	465	1.36
	225M-2/45KW	125	500	4	200	450	310	225	150	1X1150	1449	1450	85	600	650	4-φ20	419	1.22
	200L2-2/37KW	125	500	4	200	450	285	200	150	1X900	1399	1200	85	450	500	4-φ20	387	0.90
	180L-4/22KW	125	500	3	200	450	285	180	150	1X900	1368	1200	85	450	500	4-φ20	341	0.86
	180M-4/18.5KW	125	500	3	200	450	285	180	150	1X900	1328	1200	85	450	500	4-φ20	339	0.84
	160L-4/15KW	125	500	3	200	450	285	160	150	1X900	1298	1200	85	450	500	4-φ20	310	0.79
	160M-4/11KW	125	500	3	200	450	285	160	150	1X900	1243	1200	85	450	500	4-φ20	286	0.76
	132M-4/7.5KW	125	500	3	200	450	280	132	150	1X700	1138	1000	85	400	450	4-φ20	220	0.61
	132S-4/5.5KW	125	500	3	200	450	280	132	150	1X700	1098	1000	85	400	450	4-φ20	199	0.59
112M-4/4KW	125	500	3	200	450	280	112	150	1X700	1028	1000	85	400	450	4-φ20	184	0.55	
125-80-250	315S-2/110KW	125	500	4	225	505	400	315	150	2X880	1789	1660	85	690	740	6-φ20	1095	2.24
	280M-2/90KW	125	500	4	225	505	365	280	150	1X1150	1664	1450	85	600	650	4-φ20	723	1.60
	280S-2/75KW	125	500	4	225	505	365	280	150	1X1150	1614	1450	85	600	650	4-φ20	694	1.55
	250M-2/55KW	125	500	4	225	505	335	250	150	1X1150	1539	1450	85	600	650	4-φ20	576	1.36
	225M-2/45KW	125	500	4	225	505	310	225	150	1X1150	1449	1450	85	600	650	4-φ20	492	1.22
	200L2-2/37KW	125	500	4	225	505	310	200	150	1X900	1399	1200	85	450	500	4-φ20	416	0.92
	200L1-2/30KW	125	500	4	225	505	310	200	150	1X900	1399	1200	85	450	500	4-φ20	397	0.92
	180M-4/18.5KW	125	500	3	225	505	310	180	150	1X900	1328	1200	85	450	500	4-φ20	349	0.86
	160L-4/15KW	125	500	3	225	505	310	160	150	1X900	1298	1200	85	450	500	4-φ20	301	0.81
	160M-4/11KW	125	500	3	225	505	310	160	150	1X900	1243	1200	85	450	500	4-φ20	282	0.78
	132M-4/7.5KW	125	500	3	225	505	305	132	150	1X740	1138	1000	85	400	450	4-φ20	242	0.63
	132S-4/5.5KW	125	500	3	225	505	305	132	150	1X700	1098	1000	85	400	450	4-φ20	207	0.61
112M-4/4KW	125	500	3	225	505	305	112	150	1X700	1028	1000	85	400	450	4-φ20	187	0.56	
100L2-4/3KW	125	500	3	225	505	305	100	150	1X700	1013	1000	85	400	450	4-φ20	180	0.54	

ACME PUMPS

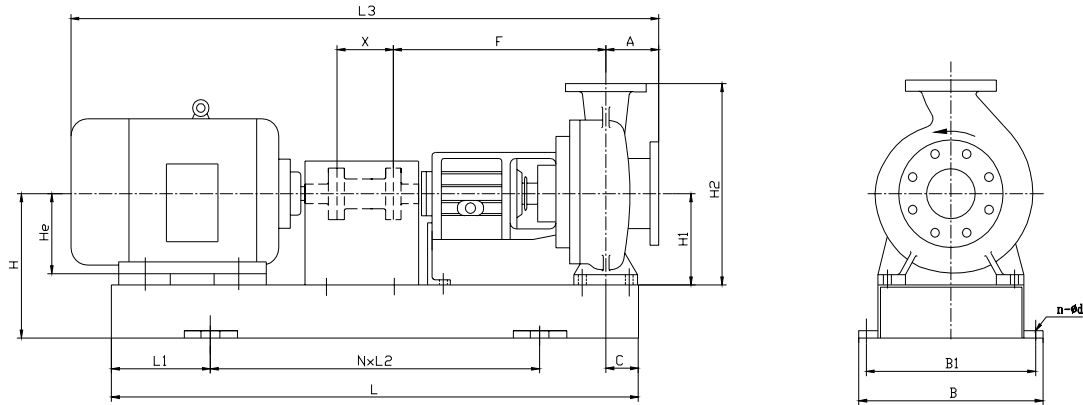
ES & SES PUMP OUTLINE DIMENSIONS (mm)
(for frame 0 to frame 3)



PUMP SIZE	MOTOR SIZE	A	F	X	H1	H2	H	HE	L1	N×L2	L3	L	C	B1	B	n-φd	Wt(kg)	SHIPPING VOL. (m3)
125-100-250	315L2-2/200KW	140	530	4	225	505	400	315	150	2X680	1864	1660	90	690	740	6-φ20	1428	2.32
	315L1-2/160KW	140	530	4	225	505	400	315	150	2X680	1864	1660	90	690	740	6-φ20	1328	2.32
	315M-2/132KW	140	530	4	225	505	400	315	150	2X680	1864	1660	90	690	740	6-φ20	1223	2.32
	315S-2/110KW	140	530	4	225	505	400	315	150	2X680	1834	1660	90	690	740	6-φ20	1175	2.29
	280M-2/90KW	140	530	4	225	505	365	280	150	2X680	1709	1660	90	690	740	6-φ20	818	1.82
	280S-2/75KW	140	530	4	225	505	365	280	150	1X1150	1659	1450	90	600	650	4-φ20	757	1.59
	250M-2/55KW	140	530	4	225	505	335	250	150	1X1150	1584	1450	90	600	650	4-φ20	639	1.39
	225M-2/45KW	140	530	4	225	505	310	225	150	1X1150	1494	1450	90	600	650	4-φ20	572	1.25
	200L2-2/37KW	140	530	4	225	505	310	200	150	1X1150	1444	1450	90	600	650	4-φ20	521	1.17
	200L-4/30KW	140	530	4	225	505	310	200	150	1X1150	1444	1450	90	600	650	4-φ20	502	1.17
	180L-4/22KW	140	530	3	225	505	310	180	150	1X900	1423	1200	90	450	500	4-φ20	404	0.92
	180M-4/18.5KW	140	530	3	225	505	310	180	150	1X900	1403	1200	90	450	500	4-φ20	390	0.91
	160L-4/15KW	140	530	3	225	505	310	160	150	1X900	1343	1200	90	450	500	4-φ20	357	0.84
	160M-4/11KW	140	530	3	225	505	310	160	150	1X900	1288	1200	90	450	500	4-φ20	338	0.81
	132M-4/7.5KW	140	530	3	225	505	310	132	150	1X900	1183	1200	90	450	500	4-φ20	296	0.71
132S-4/5.5KW	140	530	3	225	505	305	132	150	1X700	1143	1000	90	400	450	4-φ20	272	0.63	
150-125-250	355M2-2/250KW	140	530	4	250	605	445	355	150	2X730	2174	1760	90	790	840	6-φ20	1968	3.22
	315L2-2/200KW	140	530	4	250	605	400	315	150	2X680	1864	1660	90	690	740	6-φ20	1426	2.32
	315L1-2/160KW	140	530	4	250	605	400	315	150	2X680	1864	1660	90	690	740	6-φ20	1336	2.32
	315M-2/132KW	140	530	4	250	605	400	315	150	2X680	1864	1660	90	690	740	6-φ20	1227	2.32
	315S-2/110KW	140	530	4	250	605	400	315	150	2X680	1834	1660	90	690	740	6-φ20	1375	2.29
	280M-2/90KW	140	530	4	250	605	365	280	150	2X680	1709	1660	90	690	740	6-φ20	832	1.82
	225M-4/45KW	140	530	4	250	605	335	225	150	1X1150	1519	1450	90	600	650	4-φ20	584	1.31
	225S-4/37KW	140	530	4	250	605	335	225	150	1X1150	1489	1450	90	600	650	4-φ20	576	1.28
	200L-4/30KW	140	530	4	250	605	335	200	150	1X1150	1444	1450	90	600	650	4-φ20	521	1.20
	180L-4/22KW	140	530	3	250	605	335	180	150	1X900	1413	1200	90	450	500	4-φ20	428	0.94
	180M-4/18.5KW	140	530	3	250	605	335	180	150	1X900	1373	1200	90	450	500	4-φ20	416	0.92
160L-4/15KW	140	530	3	250	605	335	160	150	1X900	1343	1200	90	450	500	4-φ20	382	0.86	

ACME PUMPS

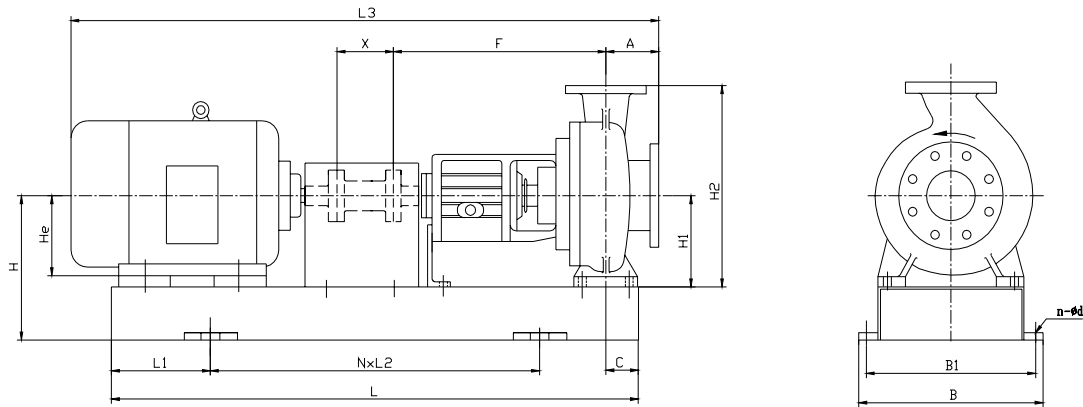
ES & SES PUMP OUTLINE DIMENSIONS (mm)
(for frame 0 to frame 3)



PUMP SIZE	MOTOR SIZE	A	F	X	H1	H2	H	HE	L1	N x L2	L3	L	C	B1	B	n-φd	Wt(kg)	SHIPPING VOL. (m3)
200-150-250	280S-4/75KW	160	530	4	280	655	365	280	150	2X680	1679	1660	100	690	740	6-φ20	865	1.79
	250M-4/55KW	160	530	4	280	655	365	250	150	1X1150	1604	1450	100	600	650	4-φ20	741	1.45
	225M-4/45KW	160	530	4	280	655	365	225	150	1X1150	1539	1450	100	600	650	4-φ20	675	1.36
	225S-4/37KW	160	530	4	280	655	365	225	150	1X1150	1509	1450	100	600	650	4-φ20	640	1.34
	200L-4/30KW	160	530	4	280	655	365	200	150	1X1150	1464	1450	100	600	650	4-φ20	586	1.25
	180L-4/22KW	160	530	3	280	655	365	180	150	1X900	1443	1200	100	450	500	4-φ20	526	0.99
	180M-4/18.5KW	160	530	3	280	655	365	180	150	1X900	1443	1200	100	450	500	4-φ20	516	0.99
	180L-6/15KW	160	530	3	280	655	365	180	150	1X900	1443	1200	100	450	500	4-φ20	526	0.99
	160L-6/11KW	160	530	3	280	655	365	160	150	1X900	1373	1200	100	450	500	4-φ20	470	0.91
	160M-6/7.5KW	160	530	3	280	655	365	160	150	1X900	1318	1200	100	450	500	4-φ20	456	0.88
132M2-6/5.5KW	160	530	3	280	655	365	132	150	1X900	1213	1200	100	450	500	4-φ20	428	0.78	
65-40-315	280S-2/75KW	125	500	4	200	450	365	280	150	1X1150	1614	1450	75	600	650	4-φ20	682	1.56
	250M-2/55KW	125	500	4	200	450	335	250	150	1X1150	1539	1450	75	600	650	4-φ20	564	1.36
	225M-2/45KW	125	500	4	200	450	310	225	150	1X1150	1449	1450	75	600	650	4-φ20	483	1.22
	200L2-2/37KW	125	500	4	200	450	285	200	150	1X900	1399	1200	75	450	500	4-φ20	412	0.90
	200L1-2/30KW	125	500	4	200	450	285	200	150	1X900	1399	1200	75	450	500	4-φ20	393	0.90
	180M-2/22KW	125	500	3	200	450	285	180	150	1X900	1328	1200	75	450	500	4-φ20	326	0.84
	160L-2/18.5KW	125	500	3	200	450	285	160	150	1X900	1298	1200	75	450	500	4-φ20	294	0.79
	160L-4/15KW	125	500	3	200	450	285	160	150	1X900	1298	1200	75	450	500	4-φ20	293	0.79
	160M-4/11KW	125	500	3	200	450	285	160	150	1X900	1243	1200	75	450	500	4-φ20	273	0.76
	132M-4/7.5KW	125	500	3	200	450	280	132	150	1X740	1138	1000	75	400	450	4-φ20	226	0.61
	132S-4/5.5KW	125	500	3	200	450	280	132	150	1X740	1098	1000	75	400	450	4-φ20	214	0.59
	112M-4/4KW	125	500	2	200	450	280	112	150	1X700	1027	1000	75	400	450	4-φ20	187	0.55
100L2-4/3KW	125	500	2	200	450	280	100	150	1X700	1012	1000	75	400	450	4-φ20	178	0.52	

ACME PUMPS

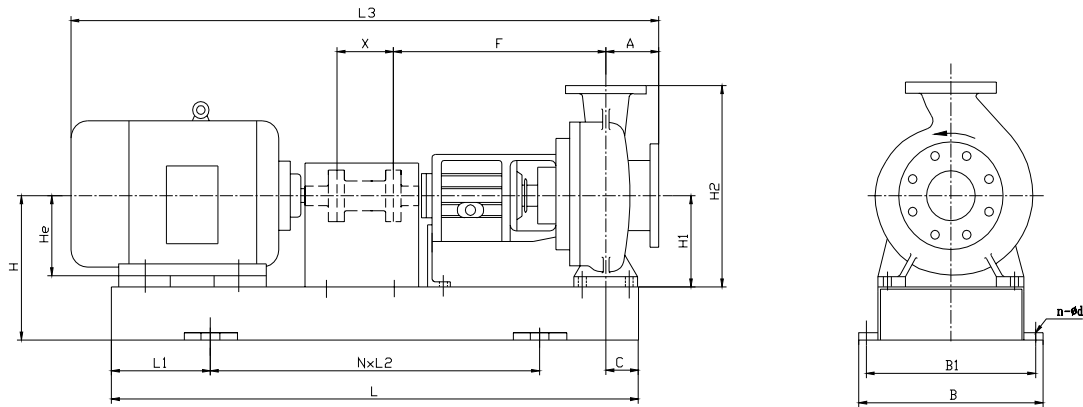
ES & SES PUMP OUTLINE DIMENSIONS (mm)
(for frame 0 to frame 3)



PUMP SIZE	MOTOR SIZE	A	F	X	H1	H2	H	HE	L1	N×L2	L3	L	C	B1	B	n-φd	Wt(kg)	SHIPPING VOL. (m3)
80-50-315	315S-2/110KW	125	500	4	225	505	400	315	150	2X600	1789	1660	75	690	740	6-φ20	1111	2.24
	280M-2/90KW	125	500	4	225	505	365	280	150	1X1150	1664	1450	75	600	650	4-φ20	732	1.61
	280S-2/75KW	125	500	4	225	505	365	280	150	1X1150	1614	1450	75	600	650	4-φ20	704	1.56
	250M-2/55KW	125	500	4	225	505	335	250	150	1X1150	1539	1450	75	600	650	4-φ20	572	1.36
	225M-2/45KW	125	500	4	225	505	310	225	150	1X1150	1449	1450	75	600	650	4-φ20	508	1.22
	200L2-2/37KW	125	500	4	225	505	310	200	150	1X900	1399	1200	75	450	500	4-φ20	429	0.92
	200L1-2/30KW	125	500	4	225	505	310	200	150	1X900	1399	1200	75	450	500	4-φ20	410	0.92
	180M-4/18.5KW	125	500	3	225	505	310	180	150	1X900	1328	1200	75	450	500	4-φ20	329	0.86
	160L-4/15KW	125	500	3	225	505	310	160	150	1X900	1298	1200	75	450	500	4-φ20	298	0.81
	160M-4/11KW	125	500	3	225	505	310	160	150	1X900	1243	1200	75	450	500	4-φ20	279	0.78
	132M-4/7.5KW	125	500	3	225	505	305	132	150	1X700	1138	1000	75	400	450	4-φ20	227	0.63
	132S-4/5.5KW	125	500	3	225	505	305	132	150	1X700	1098	1000	75	400	450	4-φ20	216	0.61
112M-4/4KW	125	500	3	225	505	305	112	150	1X700	1028	1000	75	400	450	4-φ20	208	0.56	
100-65-315	315L2-2/200KW	125	530	4	225	505	400	315	150	2X680	1849	1660	90	690	740	6-φ20	1413	2.31
	315L1-2/160KW	125	530	4	225	505	400	315	150	2X680	1849	1660	90	690	740	6-φ20	1323	2.31
	315M-2/132KW	125	530	4	225	505	400	315	150	2X680	1849	1660	90	690	740	6-φ20	1213	2.31
	315S-2/110KW	125	530	4	225	505	400	315	150	2X680	1819	1660	90	690	740	6-φ20	1165	2.27
	280M-2/90KW	125	530	4	225	505	365	280	150	2X680	1694	1660	90	690	740	6-φ20	814	1.82
	280S-2/75KW	125	530	4	225	505	365	280	150	1X1150	1644	1450	90	600	650	4-φ20	754	1.59
	250M-2/55KW	125	530	4	225	505	335	250	150	1X1150	1569	1450	90	600	650	4-φ20	644	1.38
	225M-2/45KW	125	530	4	225	505	310	225	150	1X1150	1479	1450	90	600	650	4-φ20	556	1.24
	200L2-2/37KW	125	530	4	225	505	310	200	150	1X1150	1429	1450	90	600	650	4-φ20	506	1.16
	200L-4/30KW	125	530	4	225	505	310	200	150	1X1150	1429	1450	90	600	650	4-φ20	480	1.16
	180L-4/22KW	125	530	3	225	505	310	180	150	1X900	1398	1200	90	450	500	4-φ20	412	0.91
	180M-4/18.5KW	125	530	3	225	505	310	180	150	1X900	1388	1200	90	450	500	4-φ20	399	0.90
	160L-4/15KW	125	530	3	225	505	310	160	150	1X900	1328	1200	90	450	500	4-φ20	361	0.83
	160M-4/11KW	125	530	3	225	505	310	160	150	1X900	1273	1200	90	450	500	4-φ20	338	0.80
132M-4/7.5KW	125	530	3	225	505	310	132	150	1X900	1168	1200	90	450	500	4-φ20	303	0.71	
132S-4/5.5KW	125	530	3	225	505	305	132	150	1X900	1128	1200	90	450	500	4-φ20	251	0.68	

ACME PUMPS

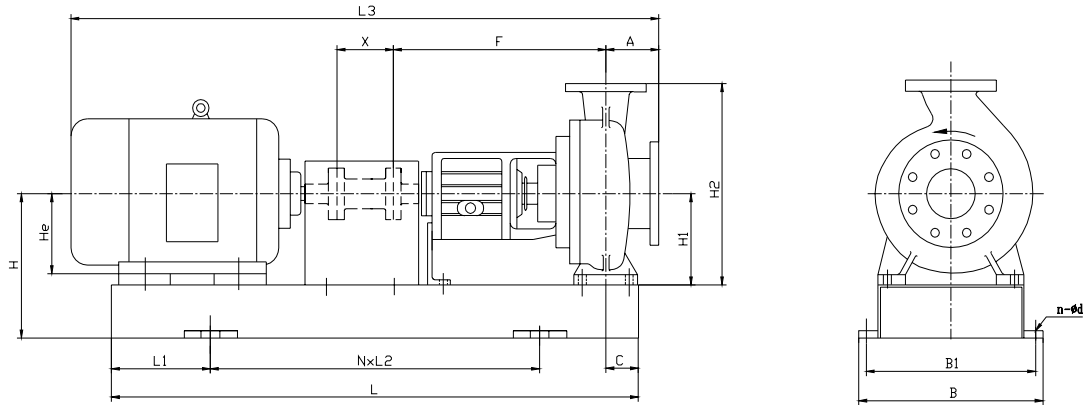
ES & SES PUMP OUTLINE DIMENSIONS (mm)
(for frame 0 to frame 3)



PUMP SIZE	MOTOR SIZE	A	F	X	H1	H2	H	HE	L1	N×L2	L3	L	C	B1	B	n-φd	Wt(kg)	SHIPPING VOL. (m3)
125-80-315	315L2-2/200KW	125	530	4	250	565	400	315	150	2X680	1849	1660	90	690	740	6-φ20	1430	2.31
	315L1-2/160KW	125	530	4	250	565	400	315	150	2X680	1849	1660	90	690	740	6-φ20	1340	2.31
	315M-2/132KW	125	530	4	250	565	400	315	150	2X680	1849	1660	90	690	740	6-φ20	1231	2.31
	315S-2/110KW	125	530	4	250	565	400	315	150	2X680	1819	1660	90	690	740	6-φ20	1179	2.27
	280M-2/90KW	125	530	4	250	565	365	280	150	2X680	1694	1660	90	690	740	6-φ20	820	1.82
	280S-2/75KW	125	530	4	250	565	365	280	150	1X1150	1644	1450	90	600	650	4-φ20	760	1.59
	250M-2/55KW	125	530	4	250	565	335	250	150	1X1150	1569	1450	90	600	650	4-φ20	657	1.38
	225M-2/45KW	125	530	4	250	565	335	225	150	1X1150	1479	1450	90	600	650	4-φ20	568	1.28
	200L-4/30KW	125	530	4	250	565	335	200	150	1X1150	1429	1450	90	600	650	4-φ20	493	1.19
	180L-4/22KW	125	530	3	250	565	335	180	150	1X900	1398	1200	90	450	500	4-φ20	418	0.93
	180M-4/18.5KW	125	530	3	250	565	335	180	150	1X900	1358	1200	90	450	500	4-φ20	404	0.91
	160L-4/15KW	125	530	3	250	565	335	160	150	1X900	1328	1200	90	450	500	4-φ20	372	0.86
	160M-4/11KW	125	530	3	250	565	335	160	150	1X900	1273	1200	90	450	500	4-φ20	353	0.82
	132M-4/7.5KW	125	530	3	250	565	335	132	150	1X900	1168	1200	90	450	500	4-φ20	310	0.73
	132S-4/5.5KW	125	530	3	250	565	330	132	150	1X900	1128	1200	90	450	500	4-φ20	286	0.70
125-100-315	355M-2/250KW	140	530	4	250	595	445	355	150	2X730	2174	1760	90	790	840	6-φ20	1948	3.22
	315L2-2/200KW	140	530	4	250	595	400	315	150	2X680	1864	1660	90	690	740	6-φ20	1428	2.32
	315L1-2/160KW	140	530	4	250	595	400	315	150	2X680	1864	1660	90	690	740	6-φ20	1338	2.32
	315M-2/132KW	140	530	4	250	595	400	315	150	2X680	1864	1660	90	690	740	6-φ20	1229	2.32
	315S-2/110KW	140	530	4	250	595	400	315	150	2X680	1834	1660	90	690	740	6-φ20	1177	2.29
	280M-2/90KW	140	530	4	250	595	365	280	150	2X680	1709	1660	90	690	740	6-φ20	823	1.83
	280S-2/75KW	140	530	4	250	595	365	280	150	1X1150	1659	1450	90	600	650	4-φ20	763	1.60
	250M-4/55KW	140	530	4	250	595	335	250	150	1X1150	1584	1450	90	600	650	4-φ20	665	1.39
	225M-4/45KW	140	530	4	250	595	335	225	150	1X1150	1519	1450	90	600	650	4-φ20	615	1.31
	225S-4/37KW	140	530	4	250	595	335	225	150	1X1150	1489	1450	90	600	650	4-φ20	580	1.28
	200L-4/30KW	140	530	4	250	595	335	200	150	1X1150	1444	1450	90	600	650	4-φ20	515	1.20
	180L-4/22KW	140	530	3	250	595	335	180	150	1X900	1413	1200	90	450	500	4-φ20	421	0.94
	180M-4/18.5KW	140	530	3	250	595	335	180	150	1X900	1373	1200	90	450	500	4-φ20	407	0.92
	160L-4/15KW	140	530	3	250	595	335	160	150	1X900	1343	1200	90	450	500	4-φ20	375	0.86
	160M-4/11KW	140	530	3	250	595	335	160	150	1X900	1288	1200	90	450	500	4-φ20	356	0.83

ACME PUMPS

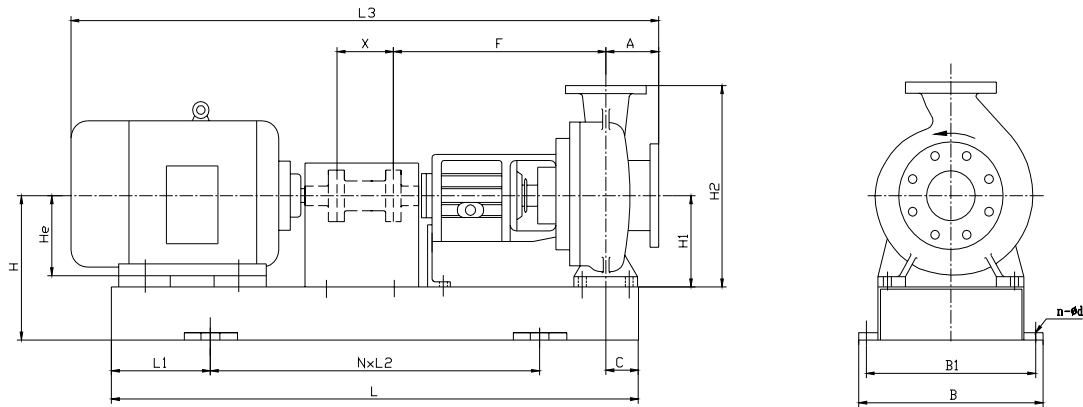
ES & SES PUMP OUTLINE DIMENSIONS (mm)
(for frame 0 to frame 3)



PUMP SIZE	MOTOR SIZE	A	F	X	H1	H2	H	HE	L1	N x L2	L3	L	C	B1	B	n-φd	Wt(kg)	SHIPPING VOL. (m3)
150-125-315	280M-4/90KW	140	530	4	280	635	365	280	150	2X680	1709	1660	100	690	740	6-φ20	955	1.83
	280S-4/75KW	140	530	4	280	635	365	280	150	1X1150	1659	1450	100	600	650	4-φ20	866	1.60
	250M-4/55KW	140	530	4	280	635	365	250	150	1X1150	1584	1450	100	600	650	4-φ20	724	1.44
	225M-4/45KW	140	530	4	280	635	365	225	150	1X1150	1519	1450	100	600	650	4-φ20	666	1.35
	225S-4/37KW	140	530	4	280	635	365	225	150	1X1150	1489	1450	100	600	650	4-φ20	631	1.32
	200L-4/30KW	140	530	4	280	635	365	200	150	1X1150	1444	1450	100	600	650	4-φ20	566	1.24
	180L-4/22KW	140	530	3	280	635	365	180	150	1X900	1413	1200	100	450	500	4-φ20	494	0.97
	180M-4/18.5KW	140	530	3	280	635	365	180	150	1X900	1373	1200	100	450	500	4-φ20	480	0.95
	180L-6/15KW	140	530	3	280	635	365	180	150	1X900	1413	1200	100	450	500	4-φ20	484	0.97
	160L-6/11KW	140	530	3	280	635	365	160	150	1X900	1383	1200	100	450	500	4-φ20	419	0.92
	160M-6/7.5KW	140	530	3	280	635	365	160	150	1X900	1288	1200	100	450	500	4-φ20	397	0.86
	132M2-6/5.5KW	140	530	3	280	635	365	132	150	1X900	1183	1200	100	450	500	4-φ20	367	0.76
125-80-400	280S-4/75KW	125	530	4	280	635	365	280	150	2X680	1644	1660	90	690	740	6-φ20	728	1.77
	250M-4/55KW	125	530	4	280	635	365	250	150	1X1150	1569	1450	90	600	650	4-φ20	702	1.42
	225M-4/45KW	125	530	4	280	635	365	225	150	1X1150	1504	1450	90	600	650	4-φ20	643	1.34
	225S-4/37KW	125	530	4	280	635	365	225	150	1X1150	1474	1450	90	600	650	4-φ20	608	1.31
	200L-4/30KW	125	530	4	280	635	365	200	150	1X1150	1429	1450	90	600	650	4-φ20	559	1.23
	180L-4/22KW	125	530	3	280	635	365	180	150	1X900	1398	1200	90	450	500	4-φ20	463	0.96
	180M-4/18.5KW	125	530	3	280	635	365	180	150	1X900	1358	1200	90	450	500	4-φ20	450	0.94
	160L-4/15KW	125	530	3	280	635	365	160	150	1X900	1328	1200	90	450	500	4-φ20	415	0.88
	160M-4/11KW	125	530	3	280	635	365	160	150	1X900	1273	1200	90	450	500	4-φ20	396	0.85
	180L-6/15KW	125	530	3	280	635	365	180	150	1X900	1398	1200	90	450	500	4-φ20	453	0.96
	160L-6/11KW	125	530	3	280	635	365	160	150	1X900	1328	1200	90	450	500	4-φ20	413	0.88
	160M-6/7.5KW	125	530	3	280	635	365	160	150	1X900	1273	1200	90	450	500	4-φ20	391	0.85
	132M2-6/5.5KW	125	530	3	280	635	365	132	150	1X900	1168	1200	90	450	500	4-φ20	370	0.75
	132M1-6/4KW	125	530	3	280	635	365	132	150	1X900	1168	1200	90	450	500	4-φ20	370	0.75
132S-6/3KW	125	530	3	280	635	360	132	150	1X900	1128	1200	90	450	500	4-φ20	353	0.73	

ACME PUMPS

ES & SES PUMP OUTLINE DIMENSIONS (mm)
(for frame 0 to frame 3)

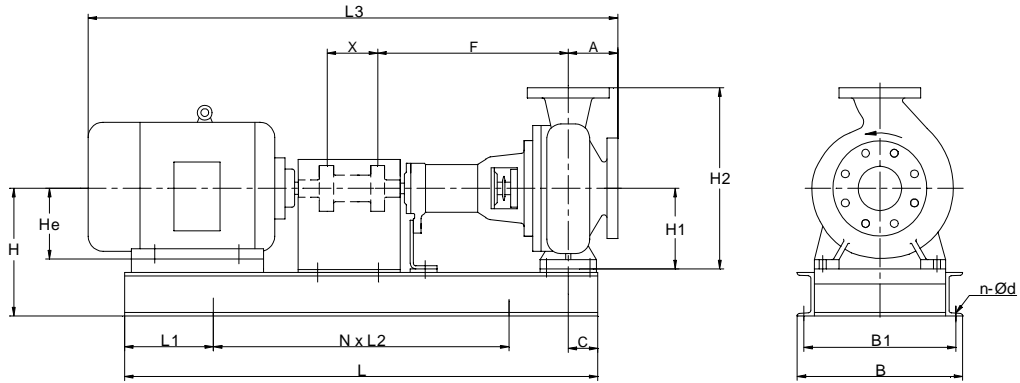


PUMP SIZE	MOTOR SIZE	A	F	X	H1	H2	H	HE	L1	N×L2	L3	L	C	B1	B	n-φd	Wt(kg)	SHIPPING VOL. (m3)
125-100-400	280M2-4/110KW	140	530	4	280	655	400	315	150	2X680	1709	1660	100	690	740	6-φ20	1016	1.89
	280M-4/90KW	140	530	4	280	655	365	280	150	2X680	1709	1660	100	690	740	6-φ20	956	1.83
	280S-4/75KW	140	530	4	280	655	365	280	150	1X1150	1659	1450	100	600	650	4-φ20	867	1.60
	250M-4/55KW	140	530	4	280	655	365	250	150	1X1150	1584	1450	100	600	650	4-φ20	725	1.44
	225M-4/45KW	140	530	4	280	655	365	225	150	1X1150	1519	1450	100	600	650	4-φ20	667	1.35
	225S-4/37KW	140	530	4	280	655	365	225	150	1X1150	1489	1450	100	600	650	4-φ20	632	1.32
	200L-4/30KW	140	530	4	280	655	365	200	150	1X1150	1444	1450	100	600	650	4-φ20	565	1.24
	180L-4/22KW	140	530	3	280	655	365	180	150	1X900	1413	1200	100	450	500	4-φ20	495	0.97
	180M-4/18.5KW	140	530	3	280	655	365	180	150	1X900	1373	1200	100	450	500	4-φ20	481	0.95
	225M-6/30KW	140	530	4	280	655	365	225	150	1X910	1519	1450	100	600	650	4-φ20	596	1.35
	200L2-6/22KW	140	530	4	280	655	365	200	150	1X830	1444	1450	100	600	650	4-φ20	542	1.24
	200L1-6/18.5KW	140	530	4	280	655	365	200	150	1X830	1444	1450	100	600	650	4-φ20	533	1.24
	180L-6/15KW	140	530	3	280	655	365	180	150	1X820	1413	1200	100	450	500	4-φ20	485	0.97
	160L-6/11KW	140	530	3	280	655	365	160	150	1X900	1343	1200	100	450	500	4-φ20	420	0.89
	160M-6/7.5KW	140	530	3	280	655	365	160	150	1X900	1288	1200	100	450	500	4-φ20	398	0.86
132M2-6/5.5KW	140	530	3	280	655	365	132	150	1X900	1183	1200	100	450	500	4-φ20	374	0.76	
150-125-400	315M-4/132KW	140	530	4	315	715	400	315	150	2X680	1974	1660	100	690	740	6-φ20	1349	2.45
	280M2-4/110KW	140	530	4	315	715	400	315	150	2X680	1709	1660	100	690	740	6-φ20	1267	1.89
	280M-4/90KW	140	530	4	315	715	400	280	150	2X680	1709	1660	100	690	740	6-φ20	952	1.89
	280S-4/75KW	140	530	4	315	715	400	280	150	1X1150	1659	1450	100	600	650	4-φ20	864	1.65
	250M-4/55KW	140	530	4	315	715	400	250	150	1X1150	1584	1450	100	600	650	4-φ20	753	1.48
	225M-4/45KW	140	530	4	315	715	400	225	150	1X1150	1519	1450	100	600	650	4-φ20	663	1.39
	225S-4/37KW	140	530	4	315	715	400	225	150	1X1150	1489	1450	100	600	650	4-φ20	628	1.37
	280M-6/55KW	140	530	4	315	715	400	280	150	2X680	1709	1660	100	690	740	6-φ20	880	1.89
	280S-6/45KW	140	530	4	315	715	400	280	150	1X1150	1659	1450	100	600	650	4-φ20	807	1.65
	250M-6/37KW	140	530	4	315	715	400	250	150	1X1150	1584	1450	100	600	650	4-φ20	736	1.48
	225M-6/30KW	140	530	4	315	715	400	225	150	1X1150	1519	1450	100	600	650	4-φ20	647	1.39
	200L2-6/22KW	140	530	4	315	715	400	200	150	1X1150	1444	1450	100	600	650	4-φ20	587	1.28
	200L1-6/18.5KW	140	530	4	315	715	400	200	150	1X1150	1444	1450	100	600	650	4-φ20	578	1.28
	180L-6/15KW	140	530	4	315	715	400	180	150	1X900	1414	1200	100	450	500	4-φ20	538	1.01
	160L-6/11KW	140	530	4	315	715	400	160	150	1X900	1344	1200	100	450	500	4-φ20	475	0.93

ACME PUMPS

ES & SES PUMP OUTLINE DIMENSIONS (mm)

(for frame 4 to frame 6)

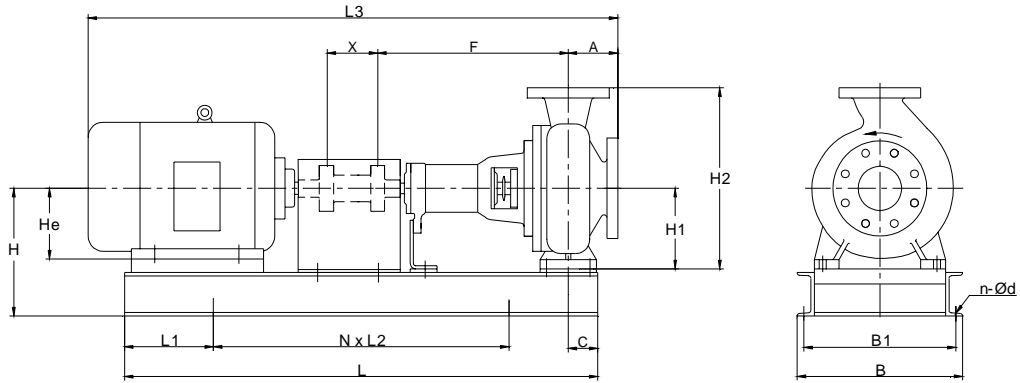


PUMP SIZE	MOTOR SIZE	A	F	X	H1	H2	H	HE	L1	NxL2	L3	L	C	B1	B	n-Ød	Wt. (kg)	SHIPPING VOL. (m3)
200-200-250	280S-4/75KW	160	625	4	315	765	515	280	200	2X610	1774	1620	100	630	690	6-φ24	931	2.02
	250M-4/55KW	160	625	4	315	765	515	250	200	2X560	1699	1520	100	630	690	6-φ24	806	1.96
	225M-4/45KW	160	625	4	315	765	515	225	200	2X525	1634	1450	100	630	690	6-φ24	743	1.90
	225S-4/37KW	180	625	4	315	765	515	225	200	2X515	1624	1430	120	630	690	6-φ24	708	1.89
	200L-4/30KW	180	625	4	315	765	515	200	200	1X970	1579	1370	120	630	690	4-φ24	653	1.84
	180L-4/22KW	180	625	3	315	765	515	180	200	1X930	1548	1330	120	630	690	4-φ24	584	1.80
	180M-4/18.5KW	180	625	3	315	765	515	180	200	1X930	1508	1330	120	630	690	4-φ24	570	1.76
	160L-6/11KW	160	625	3	315	765	515	160	200	1X890	1458	1290	100	630	690	4-φ24	574	1.71
	160M-6/7.5KW	160	625	3	315	765	515	160	200	1X890	1403	1290	100	630	690	4-φ24	551	1.65
	132M2-6/5.5KW	160	625	3	315	765	515	132	200	1X790	1298	1190	100	630	690	4-φ24	518	1.54
200-150-315	315M-4/132KW	160	625	4	315	715	515	315	200	2X675	2089	1750	120	824	884	6-φ24	1444	3.27
	280M2-4/110KW	160	625	4	315	715	515	280	200	2X610	1824	1620	120	635	695	6-φ24	1031	2.10
	280M-4/90KW	160	625	4	315	715	515	280	200	2X610	1824	1620	120	635	695	6-φ24	1031	2.10
	280S-4/75KW	160	625	4	315	715	515	280	200	2X610	1774	1620	120	635	695	6-φ24	941	2.04
	250M-4/55KW	160	625	4	315	715	515	250	200	2X550	1699	1500	120	630	690	6-φ24	799	1.89
	225M-4/45KW	160	625	4	315	715	515	225	200	2X515	1634	1430	120	630	690	6-φ24	736	1.82
	225S-4/37KW	160	625	4	315	715	515	225	200	2X515	1604	1430	120	630	690	6-φ24	701	1.79
	200L2-6/22KW	160	625	4	315	715	515	200	200	1X970	1559	1370	120	630	690	4-φ24	639	1.74
	200L1-6/18.5KW	160	625	4	315	715	515	200	200	1X970	1559	1370	120	630	690	4-φ24	630	1.74
	180L-6/15KW	160	625	3	315	715	515	180	200	1X940	1528	1340	120	630	690	4-φ24	585	1.71
160L-6/11KW	160	625	3	315	715	515	160	200	1X900	1458	1300	120	630	690	4-φ24	545	1.64	
250-200-315	280M2-4/110KW	200	625	4	355	805	555	280	200	2X610	1864	1620	120	635	695	6-φ24	1072	2.22
	280M-4/90KW	200	625	4	355	805	555	280	200	2X610	1864	1620	120	635	695	6-φ24	1072	2.22
	280S-4/75KW	200	625	4	355	805	555	280	200	2X610	1814	1620	120	635	695	6-φ24	982	2.17
	250M-4/55KW	200	625	4	355	805	555	250	200	2X550	1739	1500	120	630	690	6-φ24	857	2.07
	225M-4/45KW	200	625	4	355	805	555	225	200	2X515	1674	1430	120	630	690	6-φ24	794	2.00
	225S-4/37KW	200	625	4	355	805	555	225	200	2X515	1644	1430	120	630	690	6-φ24	759	1.97
	200L-4/30KW	200	625	4	355	805	555	200	200	1X970	1599	1370	120	630	690	4-φ24	704	1.92
	250M-6/37KW	200	625	4	355	805	555	250	200	2X550	1739	1500	120	630	690	6-φ24	852	2.07
	225M-6/30KW	200	625	4	355	805	555	225	200	2X515	1674	1430	120	630	690	6-φ24	758	2.00
	200L2-6/22KW	200	625	4	355	805	555	200	200	1X970	1599	1370	120	630	690	4-φ24	697	1.92
	200L1-6/18.5KW	200	625	4	355	805	555	200	200	1X970	1599	1370	120	630	690	4-φ24	688	1.92
	180L-6/15KW	200	625	4	355	805	555	180	200	1X940	1569	1340	120	630	690	4-φ24	643	1.88
	160L-6/11KW	200	625	4	355	805	555	160	200	1X890	1499	1290	120	630	690	4-φ24	603	1.81
	160M-6/7.5KW	200	625	4	355	805	555	160	200	1X890	1444	1290	120	630	690	4-φ24	580	1.75

ACME PUMPS

ES & SES PUMP OUTLINE DIMENSIONS (mm)

(for frame 4 to frame 6)

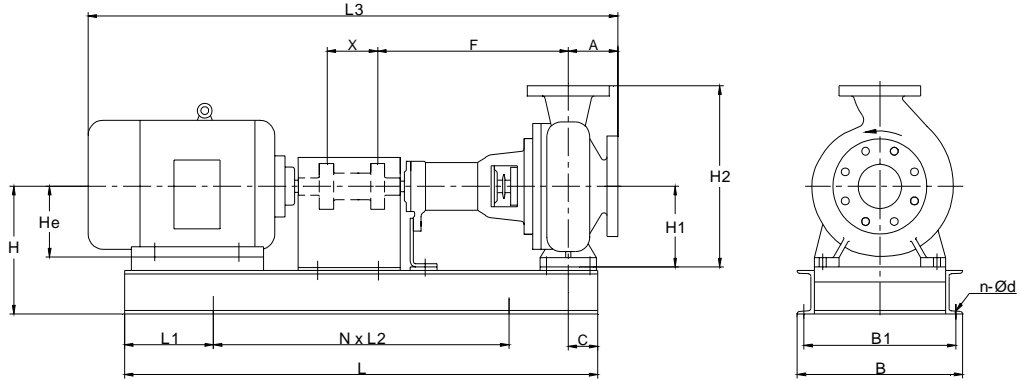


PUMP SIZE	MOTOR SIZE	A	F	X	H1	H2	H	HE	L1	NxL2	L3	L	C	B1	B	n-Ød	Wt. (kg)	SHIPPING VOL. (m3)
300-250-315	315L1-4/160KW	250	625	4	400	950	600	315	200	2X675	2179	1780	140	825	885	6-φ24	1649	3.61
	315M-4/132KW	250	625	4	400	950	600	315	200	2X675	2179	1750	140	825	885	6-φ24	1589	3.61
	280M2-4/110KW	250	625	4	400	950	600	280	200	2X610	1914	1620	140	760	820	6-φ24	1175	2.90
	280M-4/90KW	250	625	4	400	950	600	280	200	2X610	1914	1620	140	760	820	6-φ24	1175	2.90
	280S-4/75KW	250	625	4	400	950	600	280	200	2X610	1864	1620	140	760	820	6-φ24	1085	2.83
	250M-4/55KW	250	625	4	400	950	600	250	200	2X550	1789	1540	140	760	820	6-φ24	943	2.73
	225M-4/45KW	250	625	4	400	950	600	225	200	2X515	1724	1430	140	760	820	6-φ24	880	2.64
	280S-6/45KW	250	625	4	400	950	600	280	200	2X610	1864	1620	140	760	820	6-φ24	1023	2.83
	250M-6/37KW	250	625	4	400	950	600	250	200	2X550	1789	1540	140	760	820	6-φ24	938	2.73
	225M-6/30KW	250	625	4	400	950	600	225	200	2X515	1724	1430	140	760	820	6-φ24	844	2.64
	200L2-6/22KW	250	625	4	400	950	600	200	200	1X970	1649	1400	140	760	820	4-φ24	783	2.53
	200L1-6/18.5KW	250	625	4	400	950	600	200	200	1X970	1649	1400	140	760	820	4-φ24	774	2.53
180L-6/15KW	250	625	4	400	950	600	180	200	1X940	1619	1340	140	760	820	4-φ24	729	2.49	
200-150-400	315L1-4/160KW	160	625	4	315	765	515	315	200	2X700	2089	1800	120	825	885	6-φ24	1554	3.27
	315M-4/132KW	160	625	4	315	765	515	315	200	2X675	2089	1750	120	825	885	6-φ24	1494	3.27
	280M2-4/110KW	160	625	4	315	765	515	280	200	2X610	1824	1620	120	635	695	6-φ24	1081	2.11
	280M-4/90KW	160	625	4	315	765	515	280	200	2X610	1824	1620	120	635	695	6-φ24	1081	2.11
	280S-4/75KW	160	625	4	315	765	515	280	200	2X610	1774	1620	120	635	695	6-φ24	991	2.06
	250M-4/55KW	160	625	4	315	765	515	250	200	2X550	1699	1500	120	630	690	6-φ24	855	1.96
	315S-6/75KW	160	625	4	315	765	515	315	200	2X675	2059	1750	120	825	885	6-φ24	1331	3.23
	280M-6/55KW	160	625	4	315	765	515	280	200	2X610	1824	1620	120	635	695	6-φ24	1010	2.11
	280S-6/45KW	160	625	4	315	765	515	280	200	2X610	1774	1620	120	635	695	6-φ24	935	2.06
	250M-6/37KW	160	625	4	315	765	515	250	200	2X550	1699	1500	120	630	690	6-φ24	850	1.96
	225M-6/30KW	160	625	4	315	765	515	225	200	2X515	1634	1430	120	630	690	6-φ24	756	1.90
	200L2-6/22KW	160	625	4	315	765	515	200	200	1X950	1559	1380	120	630	690	4-φ24	695	1.82
200L1-6/18.5KW	160	625	4	315	765	515	200	200	1X950	1559	1380	120	630	690	4-φ24	686	1.82	
180L-6/15KW	160	625	4	315	765	515	180	200	1X940	1529	1340	120	630	690	4-φ24	641	1.78	
250-200-400	355M-4/250KW	180	625	4	355	855	555	355	200	2X745	2339	1890	120	825	885	6-φ24	2273	3.89
	315L2-4/200KW	180	625	4	355	855	555	315	200	2X675	2109	1750	120	825	885	6-φ24	1723	3.39
	315L1-4/160KW	180	625	4	355	855	555	315	200	2X675	2109	1750	120	825	885	6-φ24	1623	3.39
	315M-4/132KW	180	625	4	355	855	555	315	200	2X675	2109	1750	120	825	885	6-φ24	1563	3.39
	280M2-4/110KW	180	625	4	355	855	555	280	200	2X610	1844	1620	120	635	695	6-φ24	1149	2.28
	280M-4/90KW	180	625	4	355	855	555	280	200	2X610	1844	1620	120	635	695	6-φ24	1149	2.28
	280S-4/75KW	180	625	4	355	855	555	280	200	2X610	1794	1620	120	635	695	6-φ24	1059	2.23
	250M-4/55KW	180	625	4	355	855	555	250	200	2X550	1719	1500	120	630	690	6-φ24	917	2.13
	315S-6/75KW	180	625	4	355	855	555	315	200	2X675	2079	1750	120	825	885	6-φ24	1393	3.35
	280M-6/55KW	180	625	4	355	855	555	280	200	2X610	1844	1620	120	635	695	6-φ24	1072	2.28
	280S-6/45KW	180	625	4	355	855	555	280	200	2X610	1794	1620	120	635	695	6-φ24	997	2.23
	250M-6/37KW	180	625	4	355	855	555	250	200	2X550	1719	1500	120	630	690	6-φ24	912	2.13
	225M-6/30KW	180	625	4	355	855	555	225	200	2X515	1654	1430	120	630	690	6-φ24	818	2.05
	200L2-6/22KW	180	625	4	355	855	555	200	200	1X950	1579	1350	120	630	690	4-φ24	757	1.97
	200L1-6/18.5KW	180	625	4	355	855	555	200	200	1X950	1579	1350	120	630	690	4-φ24	748	1.97
	180L-6/15KW	180	625	4	355	855	555	180	200	1X940	1549	1340	120	630	690	4-φ24	703	1.93

ACME PUMPS

ES & SES PUMP OUTLINE DIMENSIONS (mm)

(for frame 4 to frame 6)

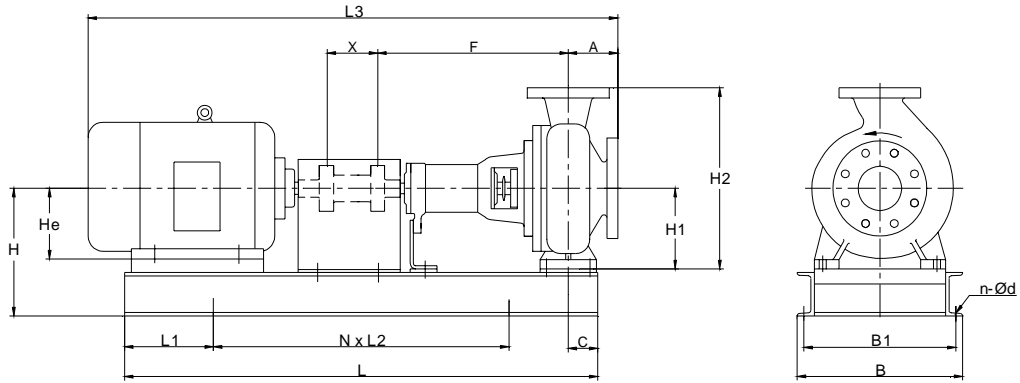


PUMP SIZE	MOTOR SIZE	A	F	X	H1	H2	H	HE	L1	NxL2	L3	L	C	B1	B	n-Ød	Wt. (kg)	SHIPPING VOL. (m3)	
300-250-400	355L-4/315KW	200	700	4	375	925	575	355	200	2X785	2434	1970	140	835	895	6-φ24	2533	4.13	
	355M-4/250KW	200	700	4	375	925	575	355	200	2X785	2434	1970	140	835	895	6-φ24	2383	4.13	
	315L2-4/200KW	200	700	4	375	925	575	315	200	2X720	2204	1840	140	835	895	6-φ24	1833	3.62	
	315L1-4/160KW	200	700	4	375	925	575	315	200	2X720	2204	1840	140	835	895	6-φ24	1733	3.62	
	315M-4/132KW	200	700	4	375	925	575	315	200	2X695	2204	1790	140	835	895	6-φ24	1673	3.62	
	280M2-4/110KW	200	700	4	375	925	575	355	200	2X650	1939	1740	140	825	885	6-φ24	1256	3.08	
	280M-4/90KW	200	700	4	375	925	575	355	200	2X650	1939	1740	140	825	885	6-φ24	1256	3.08	
	280S-4/75KW	200	700	4	375	925	575	355	200	2X650	1889	1700	140	825	885	6-φ24	1166	3.01	
	250M-4/55KW	200	700	4	375	925	575	315	200	2X590	1814	1620	140	825	885	6-φ24	1041	2.90	
	315L1-6/110KW	200	700	4	375	925	575	315	200	2X695	2204	1850	140	835	895	6-φ24	1606	3.62	
	315M-6/90KW	200	700	4	375	925	575	315	200	2X695	2204	1790	140	835	895	6-φ24	1527	3.62	
	315S-6/75KW	200	700	4	375	925	575	315	200	2X650	2174	1750	140	825	885	6-φ24	1206	3.54	
	280M-6/55KW	200	700	4	375	925	575	280	200	2X650	1939	1740	140	825	885	6-φ24	1131	3.08	
	280S-6/45KW	200	700	4	375	925	575	280	200	2X590	1889	1690	140	825	885	6-φ24	1046	3.01	
	250M-6/37KW	200	700	4	375	925	575	250	200	2X555	1814	1620	140	680	740	6-φ24	952	2.49	
	225M-6/30KW	200	700	4	375	925	575	225	200	2X515	1749	1530	140	680	740	6-φ24	891	2.41	
350-300-400	355L-4/315KW	240	700	4	450	1100	650	355	200	2X790	2474	2070	170	835	895	6-φ24	1492	4.40	
	355M-4/250KW	240	700	4	450	1100	650	355	200	2X790	2474	1980	170	835	895	6-φ24	1342	4.40	
	315L2-4/200KW	240	700	4	450	1100	650	315	200	2X720	2244	1880	170	835	895	6-φ24	1892	4.00	
	315L1-4/160KW	240	700	4	450	1100	650	315	200	2X720	2244	1880	170	835	895	6-φ24	1792	4.00	
	315M-4/132KW	240	700	4	450	1100	650	315	200	2X720	2244	1840	170	835	895	6-φ24	1732	4.00	
	280M2-4/110KW	240	700	4	450	1100	650	355	200	2X650	1979	1770	170	825	885	6-φ24	1316	3.53	
	280M-4/90KW	240	700	4	450	1100	650	355	200	2X650	1979	1770	170	825	885	6-φ24	1316	3.53	
	315L1-6/110KW	240	700	4	450	1100	650	315	200	2X720	2244	1880	170	835	895	6-φ24	1826	4.00	
	315M-6/90KW	240	700	4	450	1100	650	315	200	2X720	2244	1840	170	835	895	6-φ24	1656	4.00	
	315S-6/75KW	240	700	4	450	1100	650	315	200	2X700	2214	1800	170	835	895	6-φ24	1577	3.95	
	280M-6/55KW	240	700	4	450	1100	650	280	200	2X650	1979	1770	170	825	885	6-φ24	1256	3.53	
	280S-6/45KW	240	700	4	450	1100	650	280	200	2X650	1929	1720	170	825	885	6-φ24	1181	3.44	
	250M-6/37KW	240	700	4	450	1100	650	250	200	2X590	1854	1650	170	825	885	6-φ24	1096	3.32	
	225M-6/30KW	240	700	4	450	1100	650	225	200	2X555	1789	1560	170	825	885	6-φ24	1002	3.21	
	200-150-500	355L-4/315KW	180	625	4	375	875	575	355	200	2X720	2339	1950	120	825	885	6-φ24	2442	3.94
		355M-4/250KW	180	625	4	375	875	575	355	200	2X720	2339	1880	120	825	885	6-φ24	2292	3.94
315L2-4/200KW		180	625	4	375	875	575	315	200	2X675	2109	1750	120	825	885	6-φ24	1736	3.44	
315L1-4/160KW		180	625	4	375	875	575	315	200	2X675	2109	1750	120	825	885	6-φ24	1636	3.44	
315M-4/132KW		180	625	4	375	875	575	315	200	2X675	2109	1750	120	825	885	6-φ24	1576	3.44	
280M2-4/110KW		180	625	4	375	875	575	280	200	2X610	1844	1620	120	635	695	6-φ24	1162	2.32	
280M-4/90KW		180	625	4	375	875	575	280	200	2X610	1844	1620	120	635	695	6-φ24	1162	2.32	
280S-4/75KW		180	625	4	375	875	575	280	200	2X610	1794	1620	120	635	695	6-φ24	1072	2.26	
250M-4/55KW		180	625	4	375	875	575	355	200	2X550	1719	1500	120	630	690	6-φ24	930	2.16	
315M-6/90KW		180	625	4	375	875	575	315	200	2X675	2109	1750	120	825	885	6-φ24	1485	3.44	
315S-6/75KW		180	625	4	375	875	575	315	200	2X675	2079	1750	120	825	885	6-φ24	1406	3.39	
280M-6/55KW		180	625	4	375	875	575	280	200	2X610	1844	1620	120	635	695	6-φ24	1085	2.32	
280S-6/45KW		180	625	4	375	875	575	280	200	2X610	1794	1620	120	635	695	6-φ24	1010	2.26	
250M-6/37KW		180	625	4	375	875	575	250	200	2X550	1719	1500	120	630	690	6-φ24	925	2.16	
225M-6/30KW		180	625	4	375	875	575	225	200	2X515	1654	1430	120	630	690	6-φ24	831	2.08	
200L2-6/22KW		180	625	4	375	875	575	200	200	1X950	1579	1380	120	630	690	4-φ24	770	2.00	
200L1-6/18.5KW	180	625	4	375	875	575	200	200	1X950	1579	1380	120	630	690	4-φ24	761	2.00		

ACME PUMPS

ES & SES PUMP OUTLINE DIMENSIONS (mm)

(for frame 4 to frame 6)



PUMP SIZE	MOTOR SIZE	A	F	X	H1	H2	H	HE	L1	NxL2	L3	L	C	B1	B	n-Ød	Wt. (kg)	SHIPPING VOL. (m3)
250-200-500	355L-4/315KW	200	700	4	400	950	600	355	200	2X755	2434	2020	120	830	890	6-φ24	2534	4.18
	355M-4/250KW	200	700	4	400	950	600	355	200	2X755	2434	1950	120	830	890	6-φ24	2384	4.18
	315L2-4/200KW	200	700	4	400	950	600	315	200	2X710	2204	1820	120	835	895	6-φ24	1827	3.68
	315L1-4/160KW	200	700	4	400	950	600	315	200	2X710	2204	1820	120	835	895	6-φ24	1727	3.68
	315M-4/132KW	200	700	4	400	950	600	315	200	2X685	2204	1770	120	835	895	6-φ24	1663	3.68
	280M2-4/110KW	200	700	4	400	950	600	280	200	2X645	1939	1690	120	825	885	6-φ24	1253	3.14
	280M-4/90KW	200	700	4	400	950	600	280	200	2X645	1939	1690	120	825	885	6-φ24	1253	3.14
	280S-4/75KW	200	700	4	400	950	600	280	200	2X645	1889	1690	120	825	885	6-φ24	1163	3.06
	315L1-6/110KW	200	700	4	400	950	600	315	200	2X710	2204	1820	120	835	895	6-φ24	1763	3.68
	315M-6/90KW	200	700	4	400	950	600	315	200	2X685	2204	1770	120	835	895	6-φ24	1593	3.68
	315S-6/75KW	200	700	4	400	950	600	315	200	2X685	2174	1770	120	835	895	6-φ24	1514	3.63
	280M-6/55KW	200	700	4	400	950	600	280	200	2X645	1939	1690	120	825	885	6-φ24	1193	3.14
	280S-6/45KW	200	700	4	400	950	600	280	200	2X645	1889	1690	120	825	885	6-φ24	1118	3.06
	250M-6/37KW	200	700	4	400	950	600	250	200	2X595	1814	1590	120	825	885	6-φ24	1033	2.95
	225M-6/30KW	200	700	4	400	950	600	225	200	2X560	1749	1520	120	825	885	6-φ24	939	2.85
	200L2-6/22KW	200	700	4	400	950	600	200	200	2X520	1674	1440	120	825	885	6-φ24	878	2.74
300-250-500	355L-4/315KW	200	800	4	425	1045	625	355	200	2X850	2534	2140	140	830	890	6-φ24	2664	4.41
	355M-4/250KW	200	800	4	425	1045	625	355	200	2X850	2534	2100	140	830	890	6-φ24	2514	4.41
	315L2-4/200KW	200	800	4	425	1045	625	315	200	2X770	2304	1940	140	835	895	6-φ24	1956	4.05
	315L1-4/160KW	200	800	4	425	1045	625	315	200	2X770	2304	1940	140	835	895	6-φ24	1856	3.96
	315M-4/132KW	200	800	4	425	1045	625	315	200	2X745	2304	1890	140	835	895	6-φ24	1796	3.96
	355L-6/250KW	200	800	4	425	1045	625	355	200	2X850	2534	2140	140	830	890	6-φ24	2506	4.41
	355M2-6/200KW	200	800	4	425	1045	625	355	200	2X850	2534	2100	140	830	890	6-φ24	2416	4.41
	355M1-6/160KW	200	800	4	425	1045	625	355	200	2X850	2534	2100	140	830	890	6-φ24	2326	4.41
	315L2-6/132KW	200	800	4	425	1045	625	315	200	2X770	2304	1940	140	835	895	6-φ24	1881	3.96
	315L1-6/110KW	200	800	4	425	1045	625	315	200	2X770	2304	1940	140	835	895	6-φ24	1816	3.96
	315M-6/90KW	200	800	4	425	1045	625	315	200	2X745	2304	1890	140	835	895	6-φ24	1646	3.96
	315S-6/75KW	200	800	4	425	1045	625	315	200	2X745	2274	1890	140	835	895	6-φ24	1567	3.91
280M-6/55KW	200	800	4	425	1045	625	280	200	2X685	2039	1810	140	835	895	6-φ24	1246	3.53	
280S-6/45KW	200	700	4	425	1045	625	280	200	2X685	1989	1770	140	835	895	6-φ24	1171	3.45	
350-300-500	355L-4/315KW	250	810	4	480	1180	680	355	200	2X855	2594	2180	170	975	1035	6-φ24	2737	5.46
	355M-4/250KW	250	810	4	480	1180	680	355	200	2X855	2594	2110	170	975	1035	6-φ24	2587	5.46
	315L2-4/200KW	250	810	4	480	1180	680	315	200	2X790	2364	1980	170	975	1035	6-φ24	2029	5.00
	315L1-4/160KW	250	810	4	480	1180	680	315	200	2X790	2364	1980	170	975	1035	6-φ24	1929	5.00
	355L-6/250KW	250	810	4	480	1180	680	355	200	2X855	2594	2180	170	975	1035	6-φ24	2679	5.46
	355M2-6/200KW	250	810	4	480	1180	680	355	200	2X855	2594	2110	170	975	1035	6-φ24	2589	5.46
	355M1-6/160KW	250	810	4	480	1180	680	355	200	2X855	2594	2110	170	975	1035	6-φ24	2499	5.46
	315L2-6/132KW	250	810	4	480	1180	680	315	200	2X790	2364	1980	170	975	1035	6-φ24	2054	5.00
	315L1-6/110KW	250	810	4	480	1180	680	315	200	2X790	2364	1980	170	975	1035	6-φ24	1989	5.00
	315M-6/90KW	250	810	4	480	1180	680	315	200	2X790	2364	1980	170	975	1035	6-φ24	1819	5.00
	315S-6/75KW	250	810	4	480	1180	680	315	200	2X790	2334	1980	170	975	1035	6-φ24	1740	4.95
	280M-6/55KW	250	810	4	480	1180	680	280	200	2X725	2099	1850	170	975	1035	6-φ24	1419	4.48